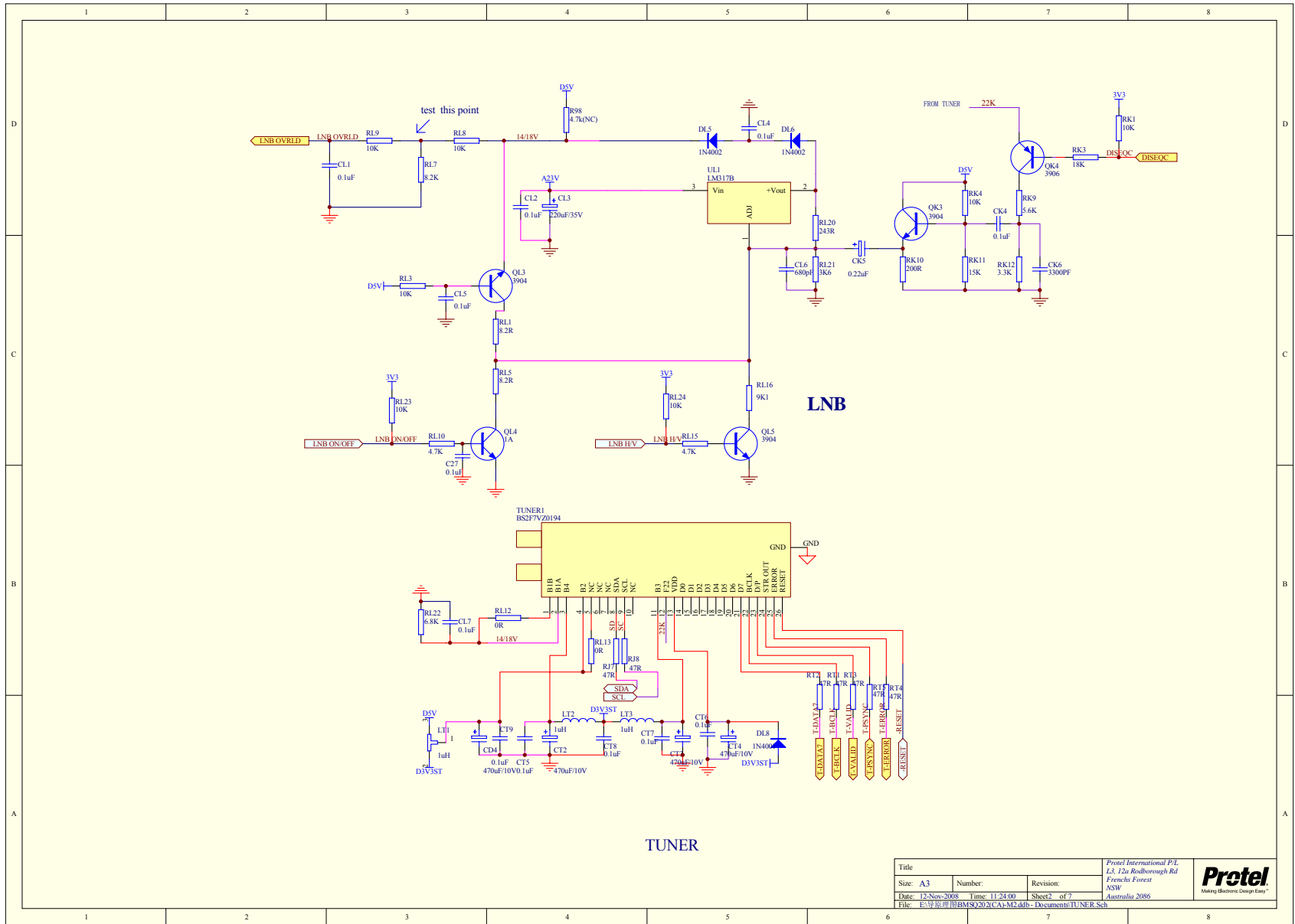


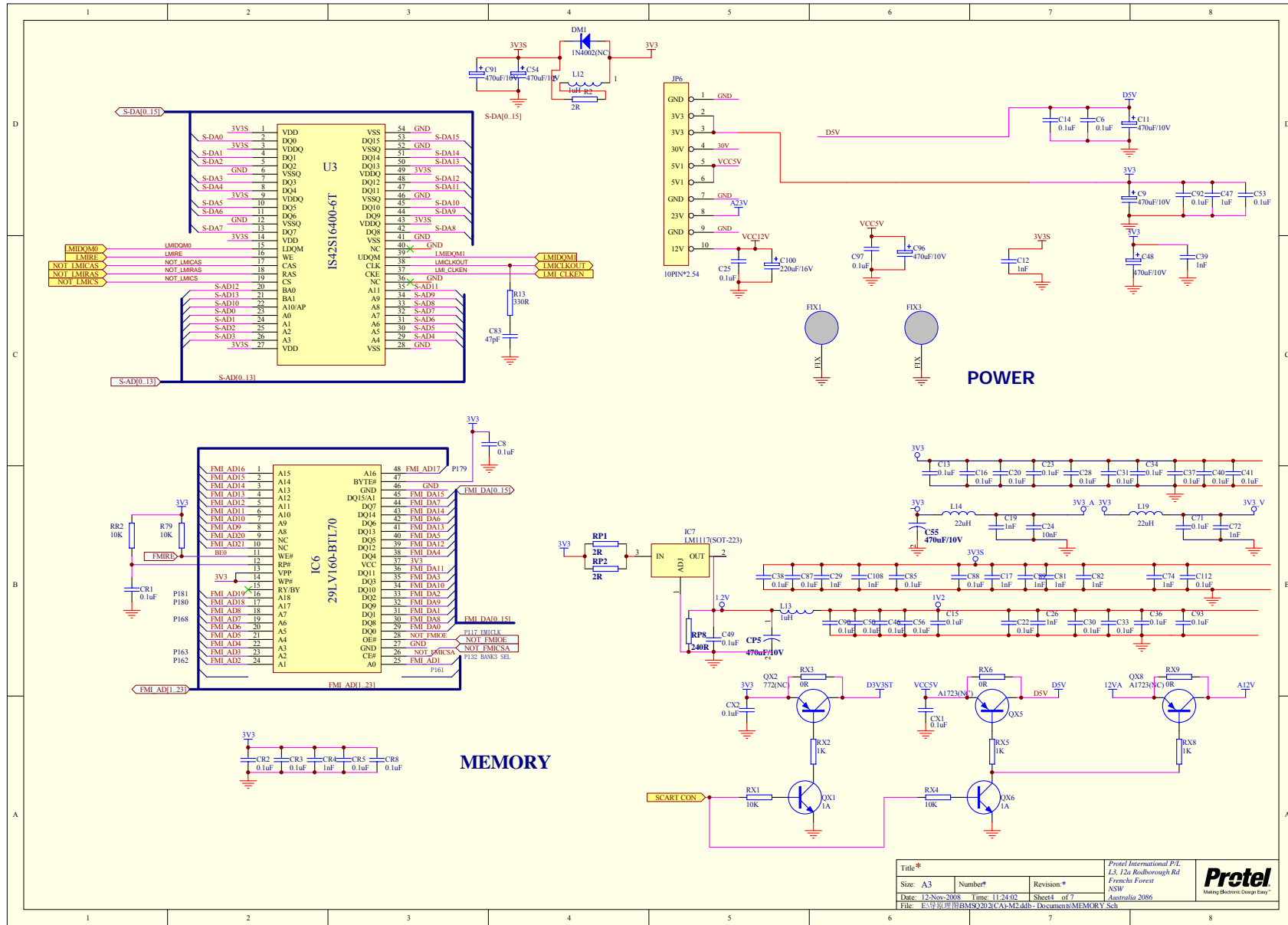
Title			Protel International P/L
Size: A3			13, 12a Rodborough Rd
Number:	Revision:	Frenchs Forest	
Date: 12-Nov-2008	Time: 11:23:59	NSW	
File: E:\9原理图\BMSQ202\CA-M2.ddb - Document\ROOT.Sch	Sheet0	of 7	
			Australia 2006





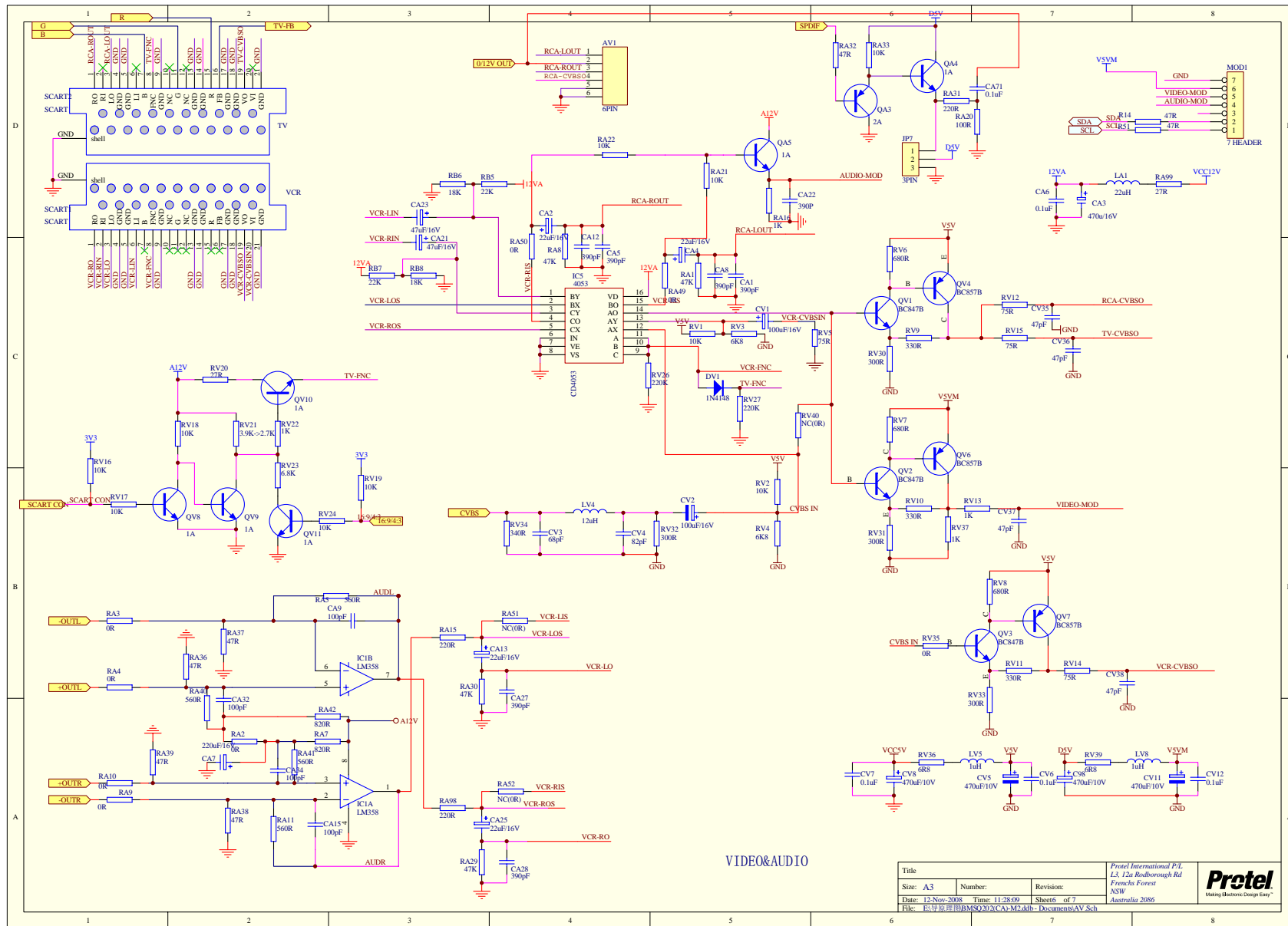
Title			Protel International P/L
Size: A3			L3, 12a Rodborough Rd
Number:	Revision:	Frenchs Forest	
Date: 12-Nov-2008	Time: 11:24:00	Sheet2	of 7
File: E:\守原理图\BSM30202\CA1-M2.ddb - Document\TUNER Sch			Australia 2086

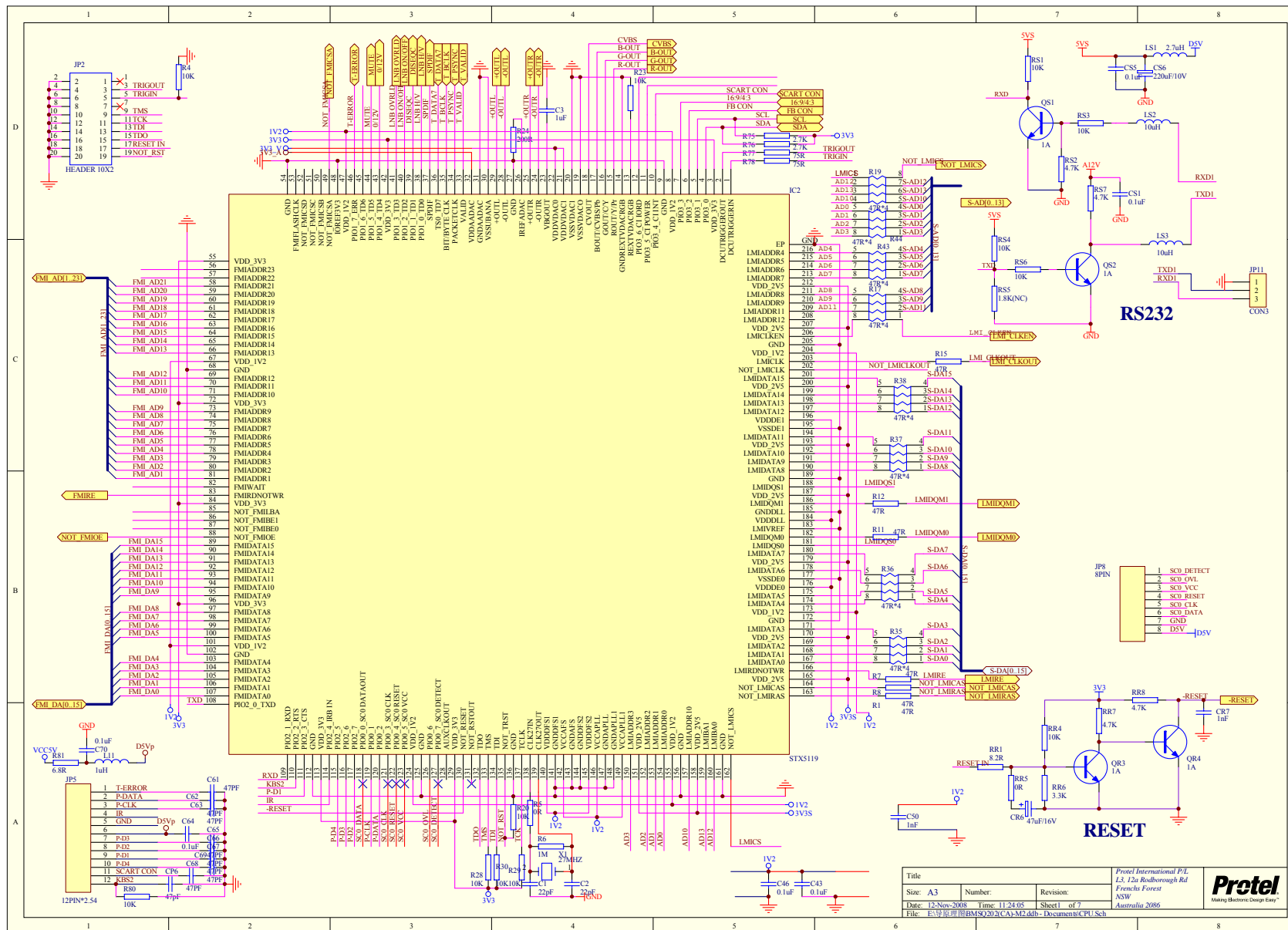


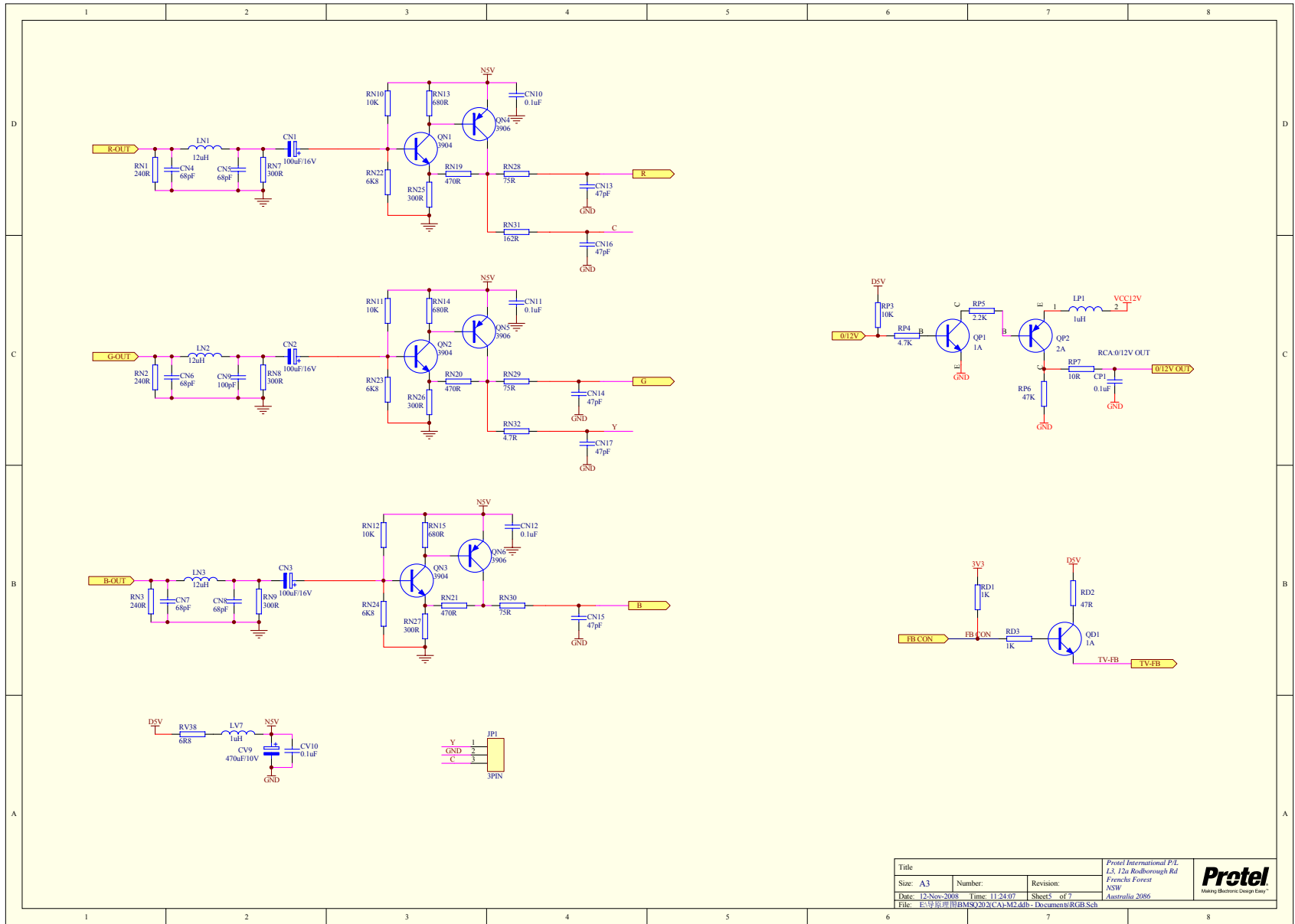


Title*			Protel International P/L
Size: A3			L3, 12a Rodborough Rd
Number*			Frenchs Forest
Revision*			NSW
Date: 12-Nov-2008	Time: 11:24:02	Sheet4 of 7	Australia 2086
File: E:\学校原理图\HX\8202\CA1-M2.ddb - Document\MEMORY Sch			

Protel
 Making Electronics Design Easy™







Title			Protel International P/L
Size: A3			L3, 12a Rodborough Rd
Number:	Revision:	SheetS	of 7
Date: 12-Nov-2008	Time: 11:24:07	Australia 2086	
File: E:\学原理图\BMS\202\CA1-M2.ddb - Documents\RGB Sch			

