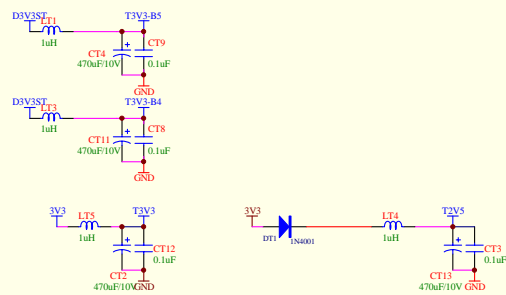
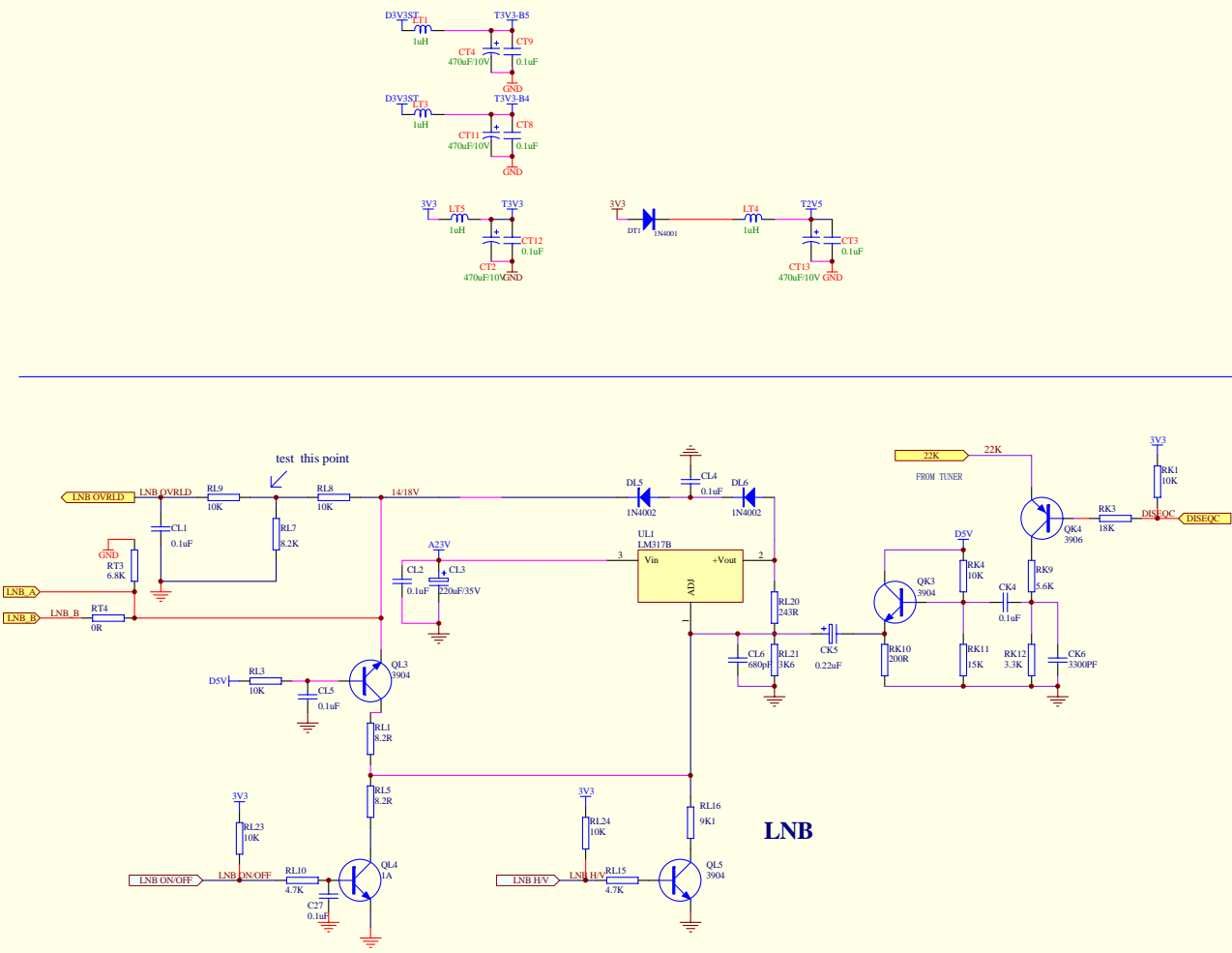


BMSQ116-M2在BMSQ116-M1基础上修改了
 1.SPDIF同轴输出走线可能与AV座的GND脚短路。修改走线。
 2.将LP5下移，远离螺丝孔。
 3.将定位孔左移，防止AI机器打不上插件二极管DL6
 4.贴片位置同M1有移动，需要重新开钢网

BMSQ116-M1为BMSQ006(EUR)-M1更名所得。
 BMSQ006(EUR)-M1在BMSQ002(0502)-M2(A)基础上更改的
 1.DELETE VCR SCART
 2.ADD 0/12V 电路
 3.ADD MODULATOR
 4.CPU,SDRAM,FLASH走线为改进版本
 5.LM317上移了位置。因为前面板有CA卡
 6.CA公座往右移动。

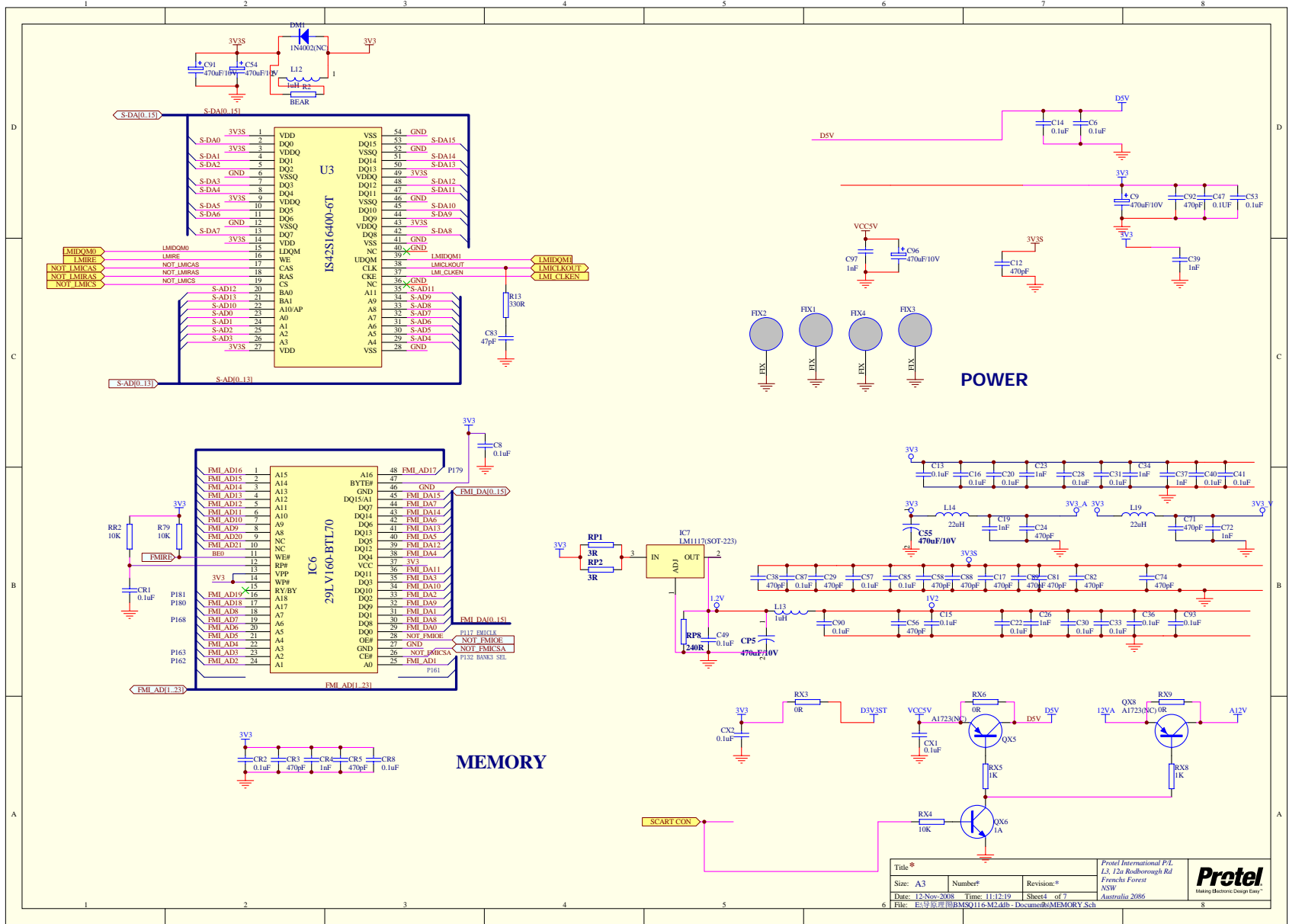
Title			Protel International P/L
Size: A3			13, 12a Rodborough Rd
Number:	Revision:		Frenchs Forest
Date: 12-Nov-2008	Time: 11:12:17	Sheet 0 of 7	NSW
File: 民用原理图BMSQ116-M2.dtb - Documents\ROOT.Sch			Australia 2006

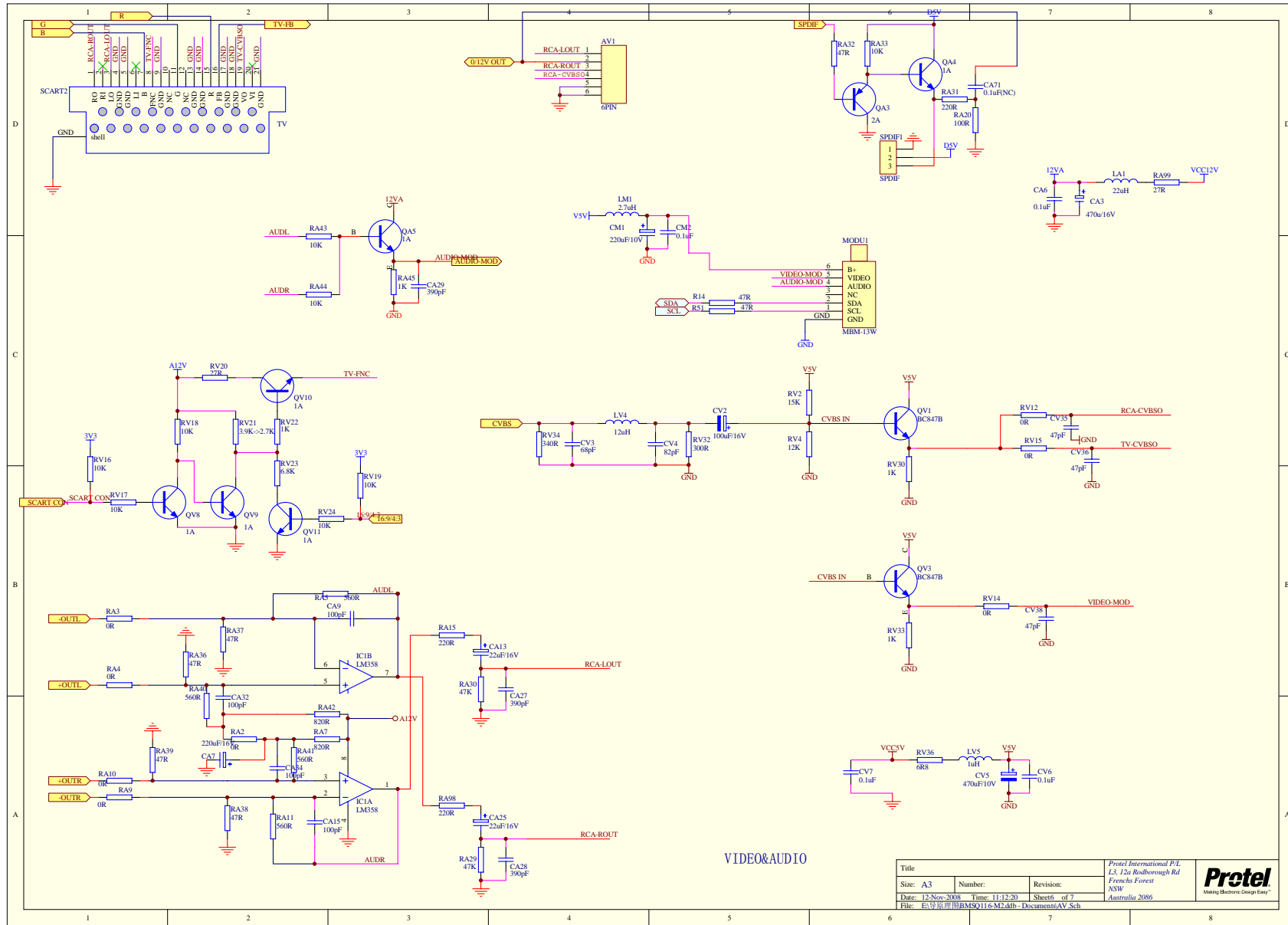




Title			Protel International P/L
Size: A3			1.3, 12a Rodborough Rd
Number:	Revision:		Frenchs Forest
Date: 12-Nov-2008	Time: 11:12:18	Sheet 2 of 7	NSW
File: 卫星原理图\BMS0116-MZ.dtb - Documents\TUNER.Sch			Australia 2086



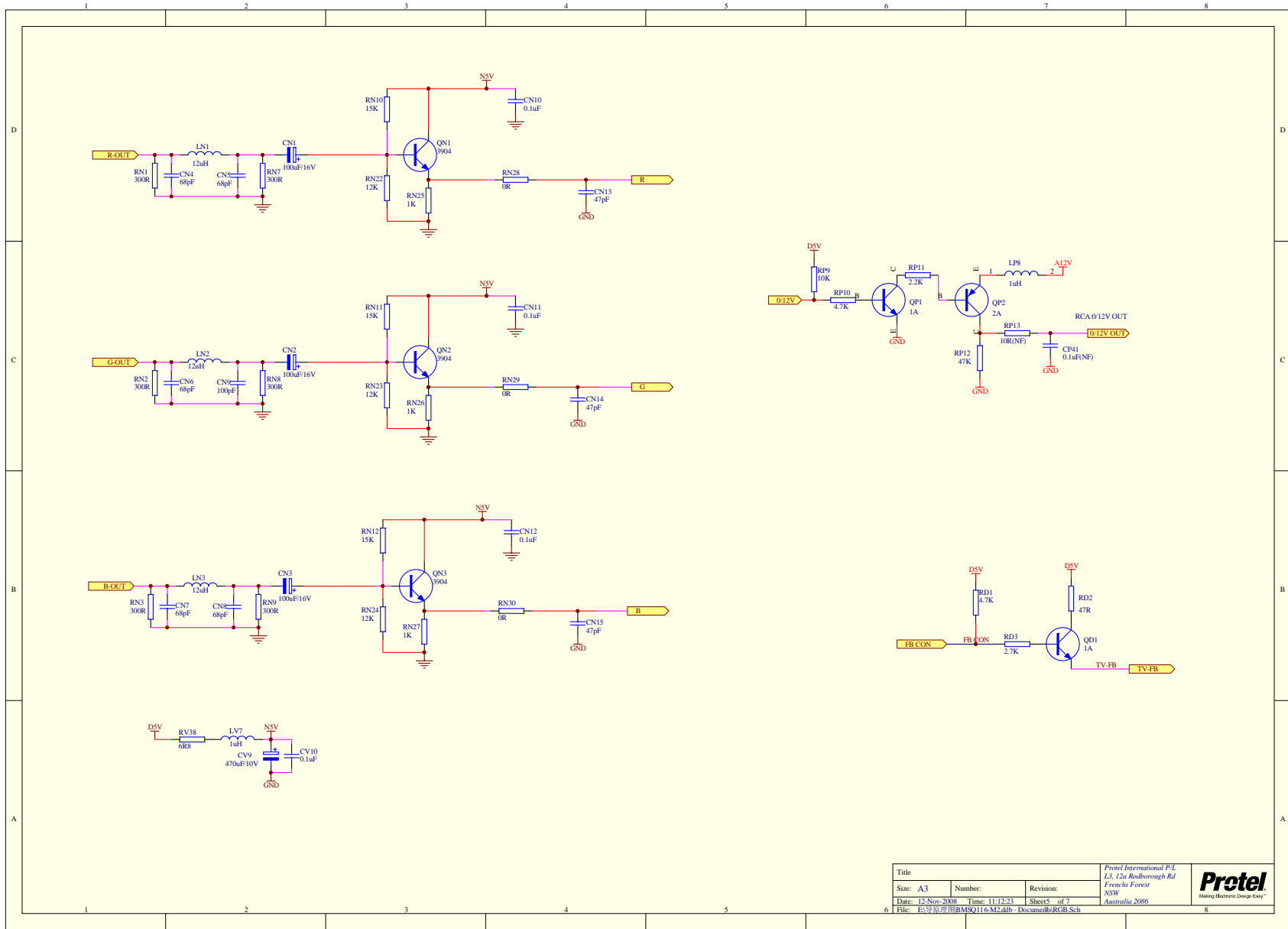




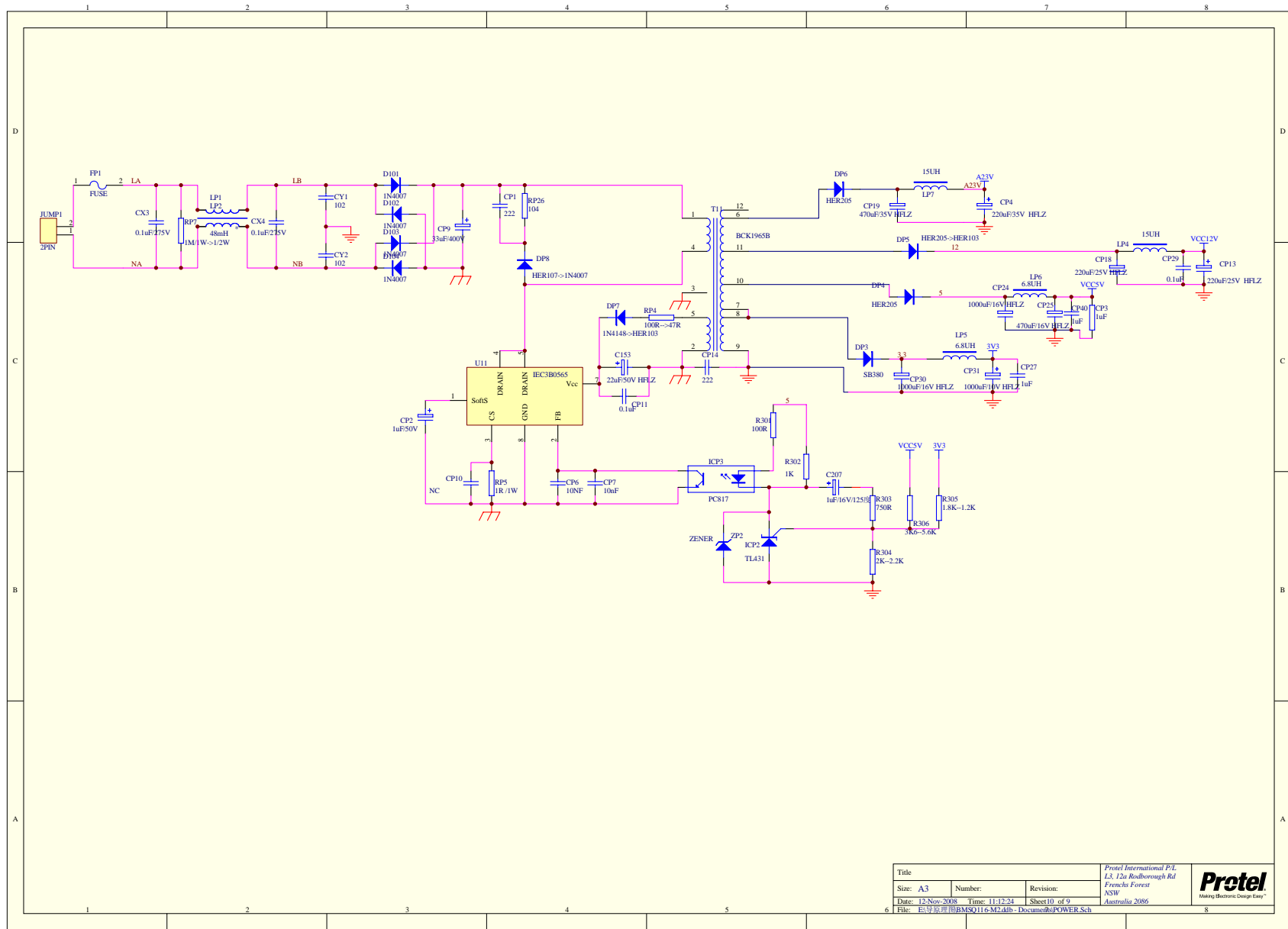
VIDEO&AUDIO

Title			Protel International P/L
Size: A3			L3, 12a Rodborough Rd
Number:	Revision:		Frenchs Forest
Date: 12-Nov-2008	Time: 11:12:20	Sheet6 of 7	NSW
File: 电子原理图\BMS0116-MZ.dtb - Documents\AV.Sch			Australia 2086



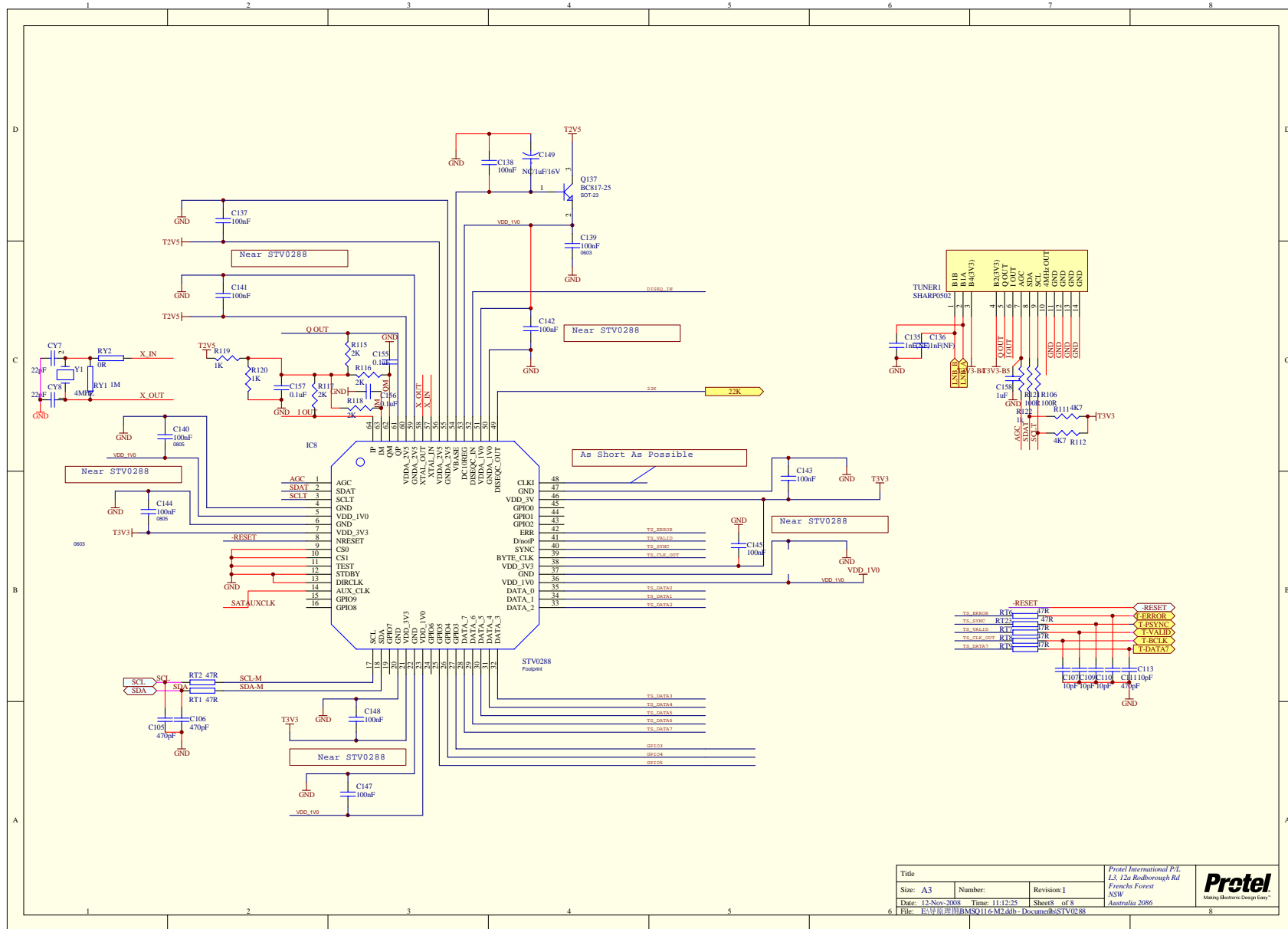


Title			Protel International P/L
Size: A3			1.3, 12a Rodborough Rd
Number:	Revision:	Sheet 5 of 7	Frenchs Forest
Date: 12-Nov-2008	Time: 11:12:23	File: 电视原理图BMS0116-MZ.dtb - Document	NSW
			Australia 2086
			Protel
			Making Microcontrollers Easier



Title			Protel International P/L
Size: A3			L3, 12a Rodborough Rd
Number:	Revision:	Frenchs Forest	
Date: 12-Nov-2008	Time: 11:12:24	NSW	
File: 电源原理图BMSQ116-MZ.dtlb - Documents\POWER.Sch	Sheet 10 of 9	Australia 2086	





Title			Protel International P/L
Size: A3			L3, 12a Rodborough Rd
Number:			Frenchs Forest
Revision: 1			NSW
Date: 12-Nov-2008	Time: 11:12:25	Sheet 8 of 8	Australia 2086
File: 内存原理图BMS0116-MZ.dtb - Documents\STV0288			

