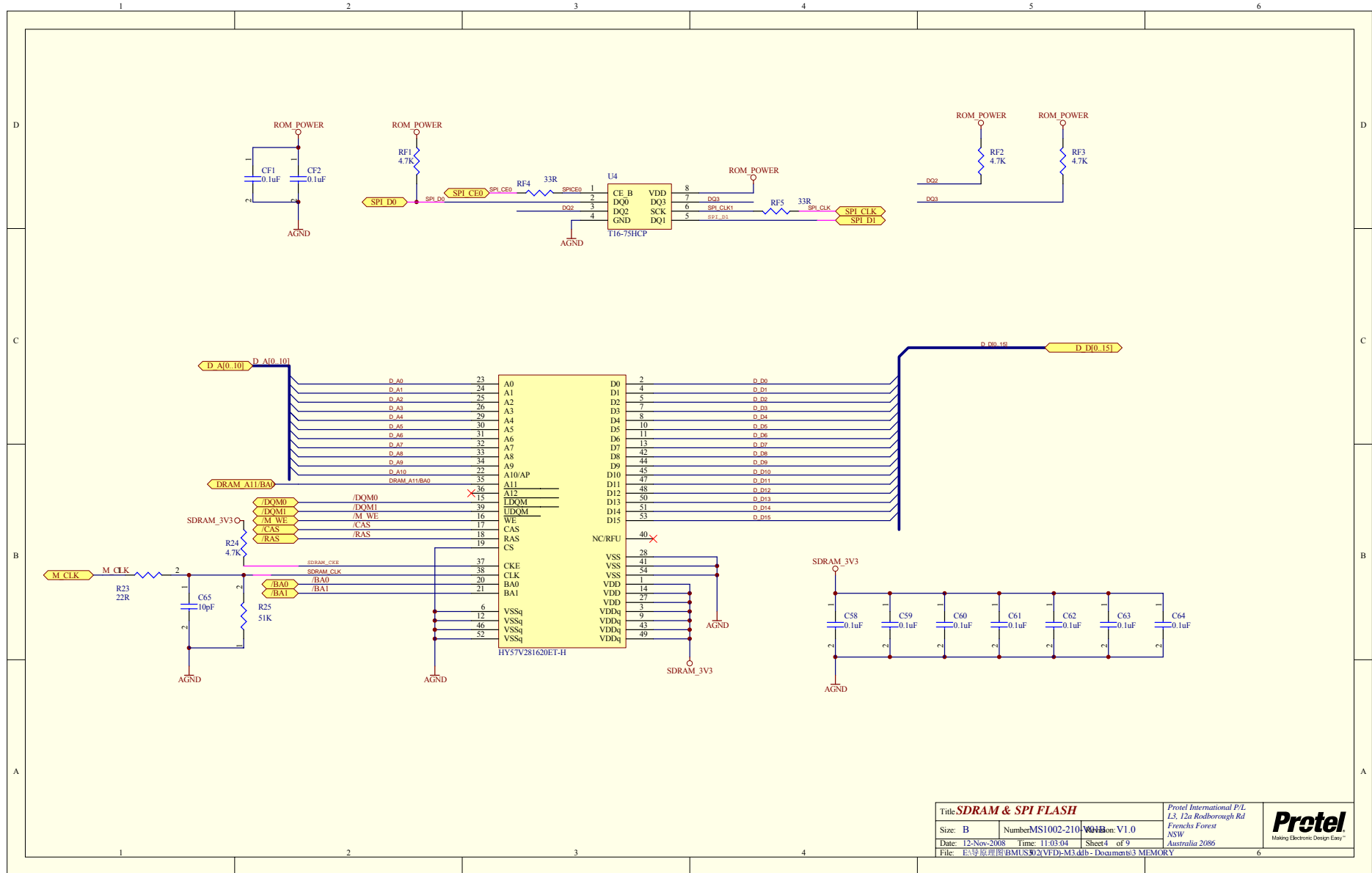


M1:  
 1、将POWER PCB格式转换成PROTEL格式;  
 2、更改后面板接口为SRT接口;  
 3、更新封装, 调整走线, 精简电路等。

Title		
Size	Number	Revision
B		
Date:	12-Nov-2008	Sheet of
File:	E:\导航原理图\BMUS302(VFD)-M3.ddb	Drawn By:







Title: **SDRAM & SPI FLASH**

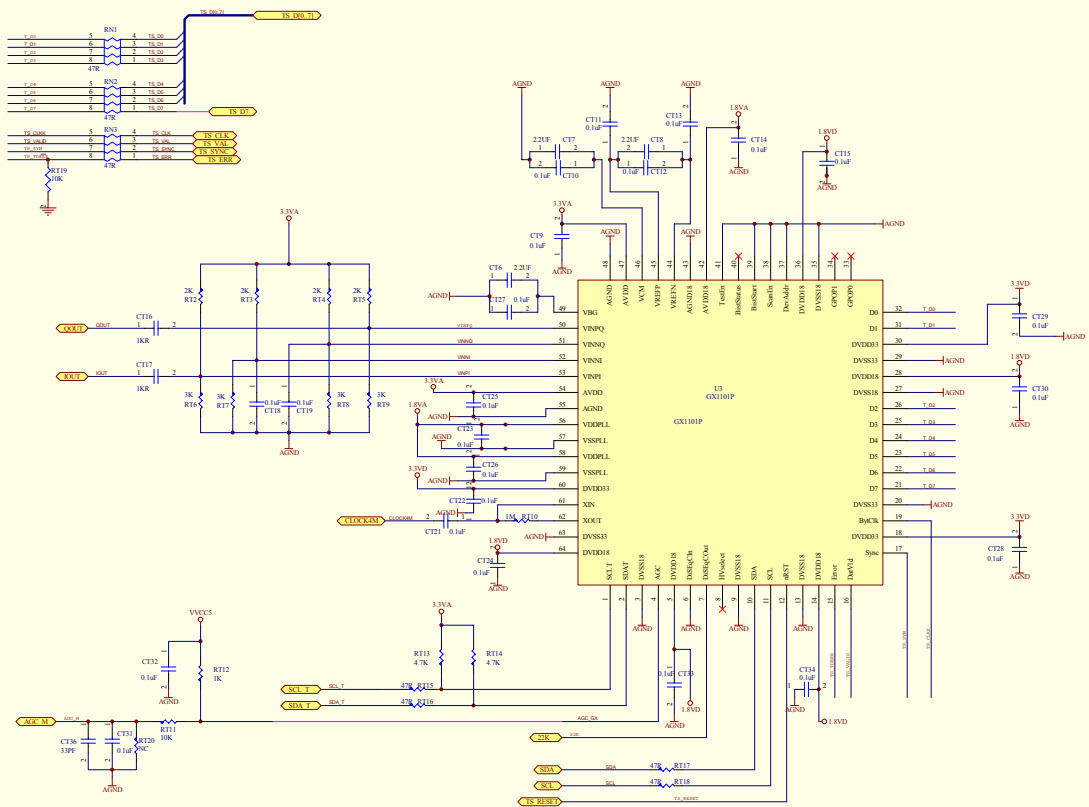
Size: B Number: MS1002-2101 Rev: 1.0  
 Date: 12-Nov-2008 Time: 11:03:04 Sheet: 4 of 9  
 File: E:\等原理图\B\MUS\B2\VF\D-M3.dtb - Document\3 MEMOY

Protel International P.L.  
 L3, 12a Rodborough Rd  
 Frenchs Forest  
 NSW  
 Australia 2086



Making Electronic Design Easy™





Title	Number	Revision
Size C		
Date 15/06/2008	Time 11:03:06	Sheet 1 of 9
File E:\3D\BOM\BOM\GX1010P-MU\BOM - Document\GX1010P.DWG		

Print International DL  
 14, 12a Brouwerweg Rd  
 P.O. Box 1000  
 4800 AA Breda, The Netherlands  
 2006



Protel  
 Making Electronic Design Easy

