

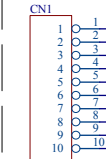
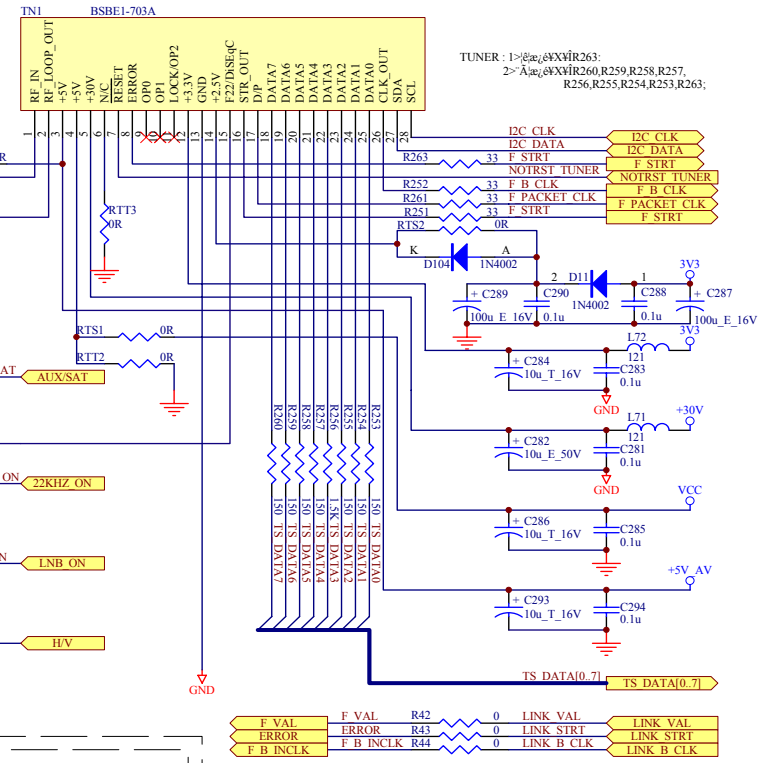
# POWER

注:

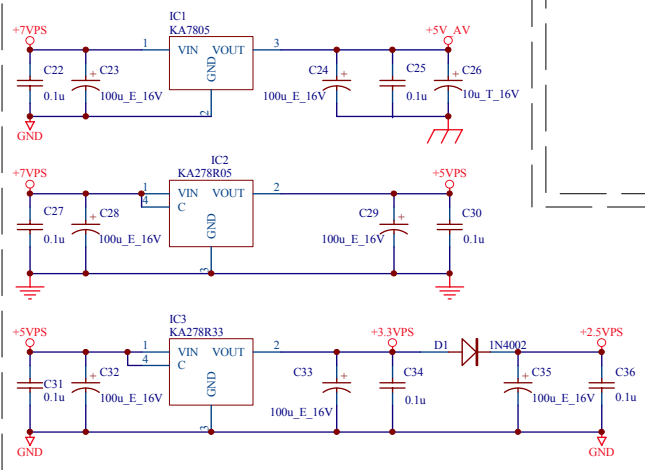


# TUNER

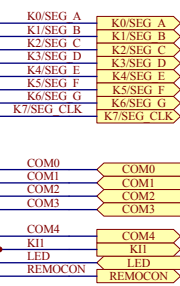
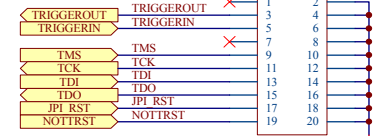
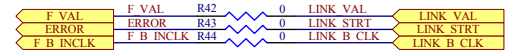
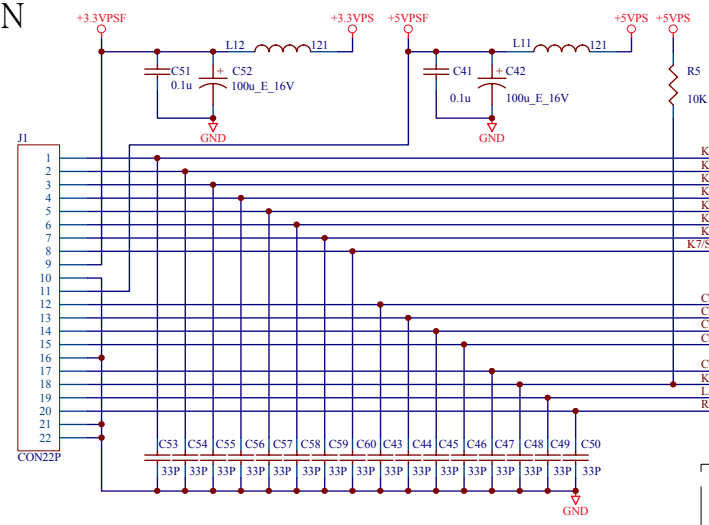
1. S TUNER : Weld RTS1, RTS2 ;
  2. T or C TUNER : Weld RTT1,RTT2,RTT3,D104 ;
- 2003/5/24



POWER-CONN.

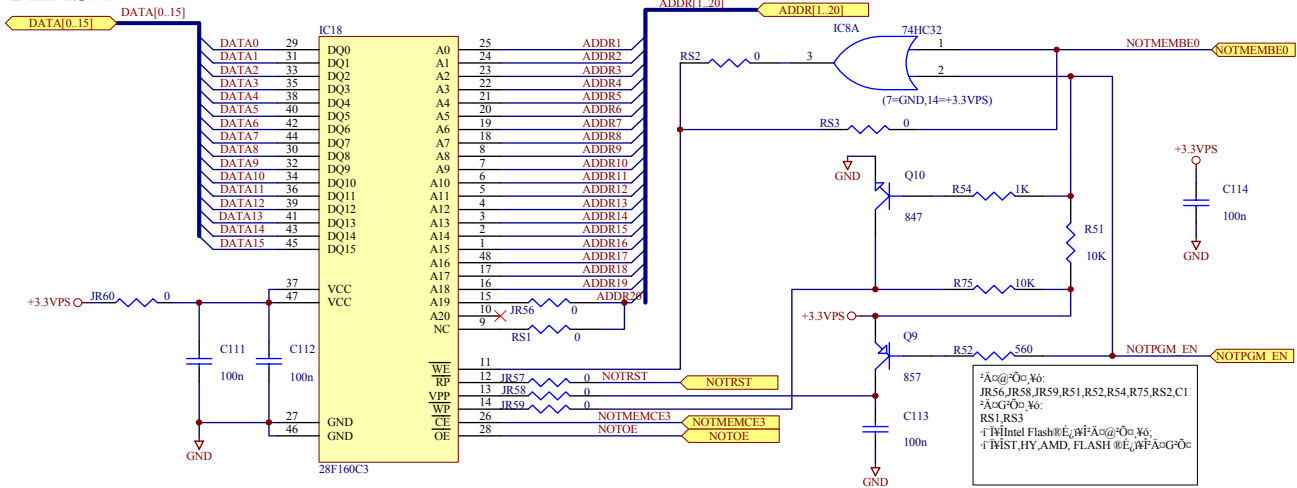


# DCU&KEYCON

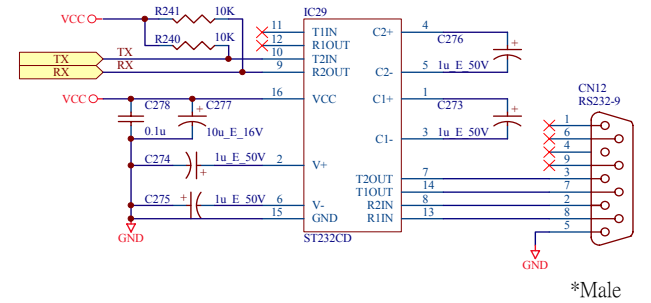


△			PIN	82012-21913	MATL
△			PART NAME	POWER&DCU&KEYCON&TUNER	REV A
△			MODEL	SDF-5518-A1 (MBF-03-F)	FINISH
△			APPV'D	CHK	CHR
△			DRAW NO.	EDF-EDVB-073	QTY
△			ISSUE	LH-03-124	2003/07/08
			ECN NO		DATE
			AMEND BY		
				Pro Broadband (sz) Inc.	

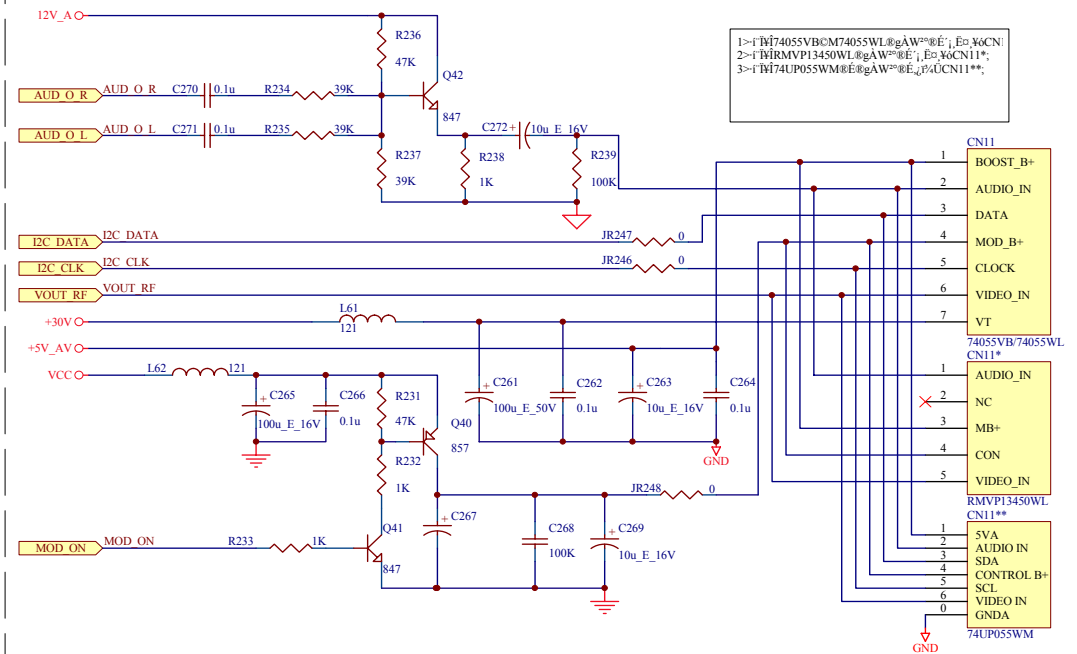
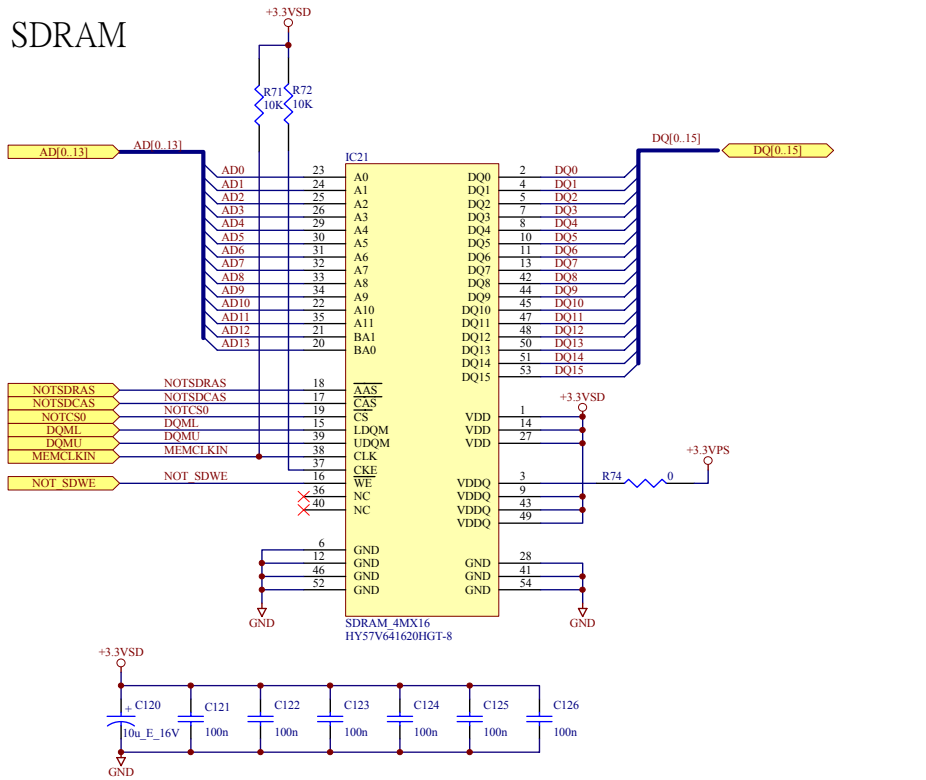
# FLASH



# RS232-RF MODULATOR



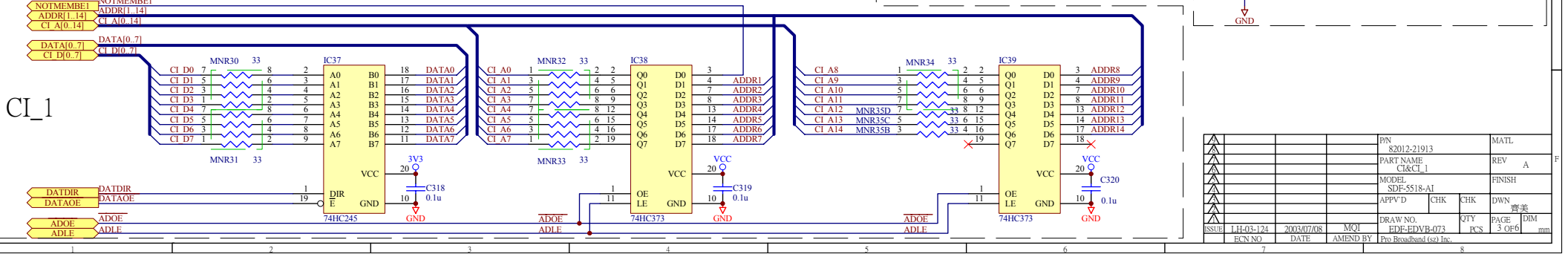
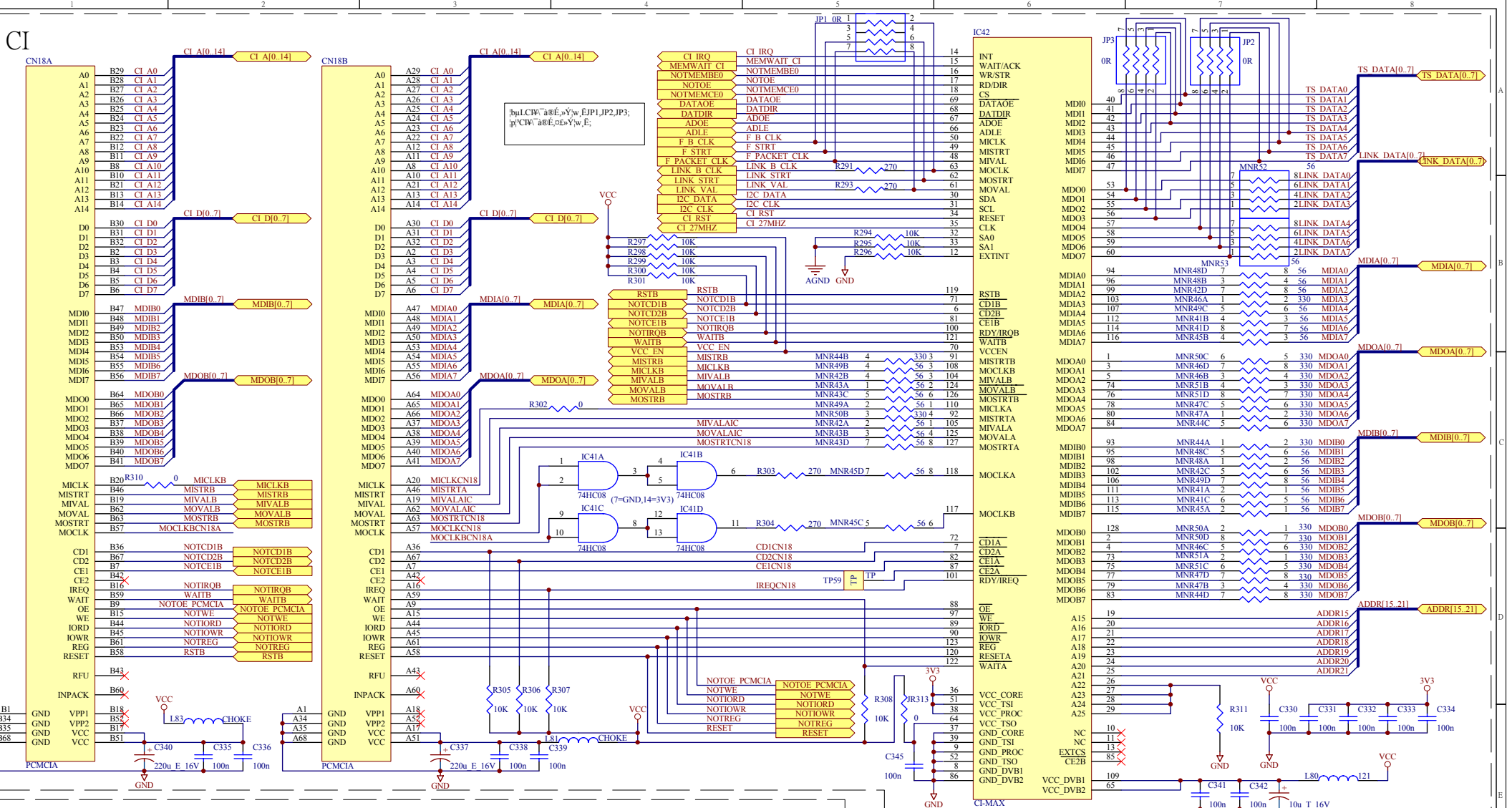
# SDRAM



PN	82012-21913	MATL
PART NAME	FLASH&SDRAM&RS232RF	REV A
MODEL	SDF-5518-A1 (MBF-03-F)	FINISH
APPV'D	CHK	CHR
DRAW NO.	EDE:EDVB-073	QTY
ISSUE	LH-03-124	PAGE
ECN NO	2003/07/08	2 OF 6
DATE	MQI	mm
AMEND BY	Pro Broadband (sz) Inc.	

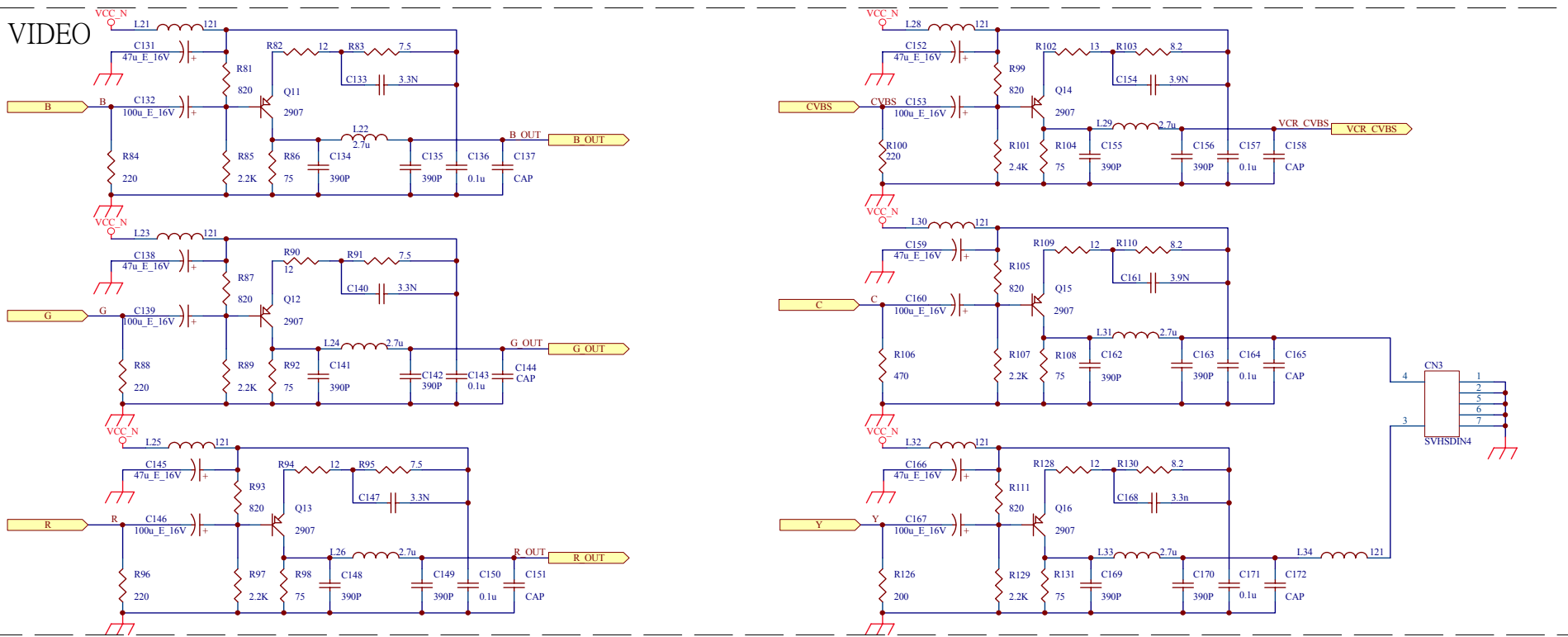
CI

CI\_1

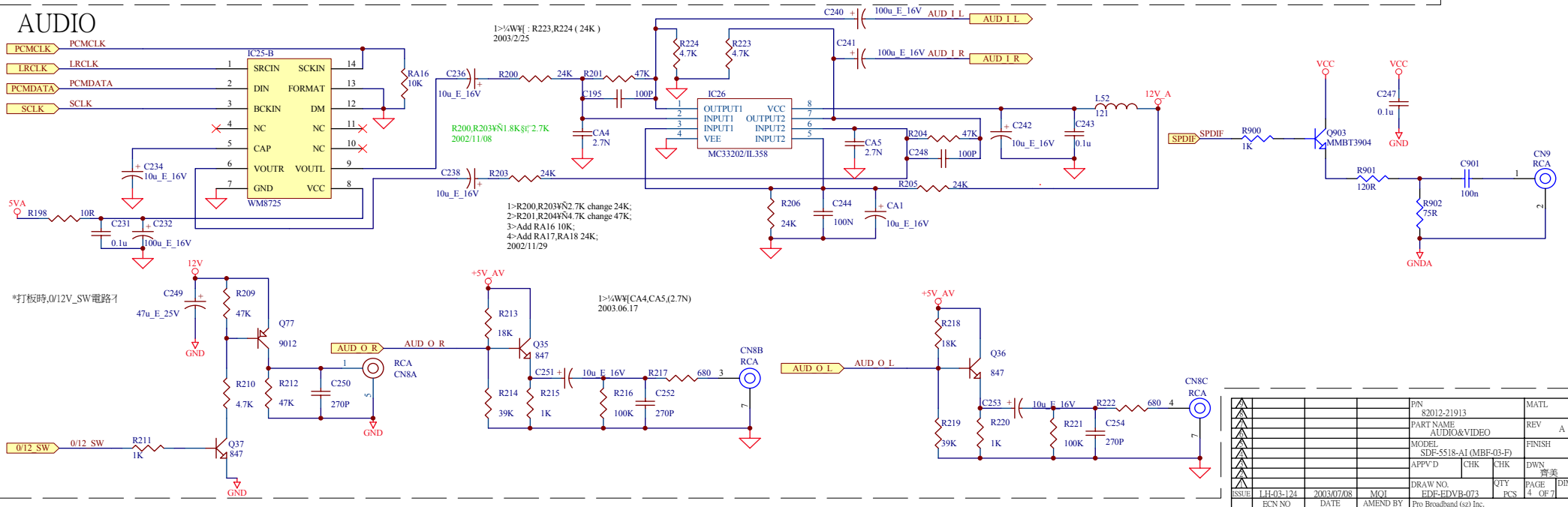


PN	82012-21913	MATL
PART NAME	CI&T_1	REV
MODEL	SDP-5518-A1	FINISH
APP'VD	CHK	CHK
DRAWN	CHK	DWN
ISSUE	LH-03-124	DATE
AMEND BY	2003/07/08	DATE
PCB	MOL	PCB
PROJ	EDE-EDVB-073	QTY
PROJ	EDE-EDVB-073	PAGE
PROJ	EDE-EDVB-073	3 OF 6
PROJ	EDE-EDVB-073	DIM
PROJ	EDE-EDVB-073	mm

# VIDEO

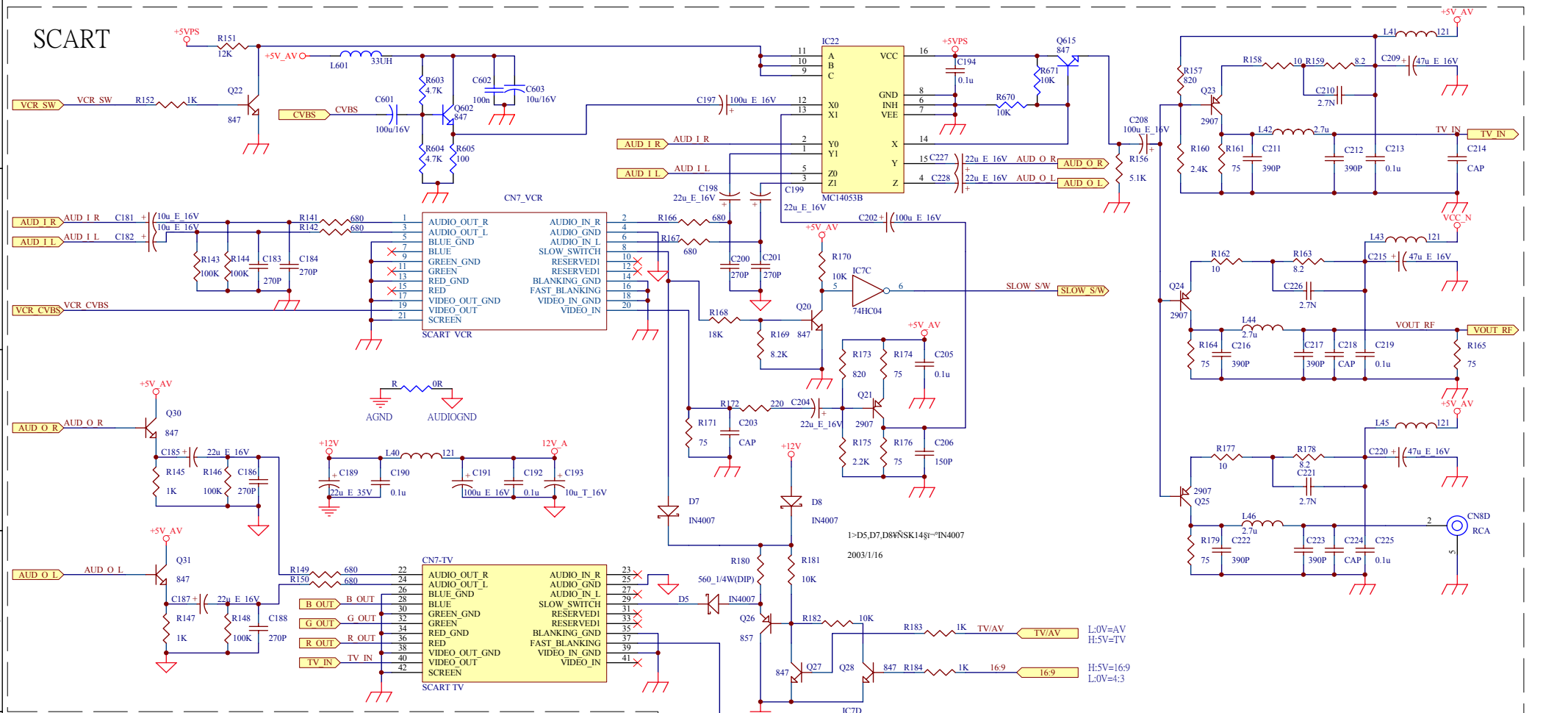


# AUDIO

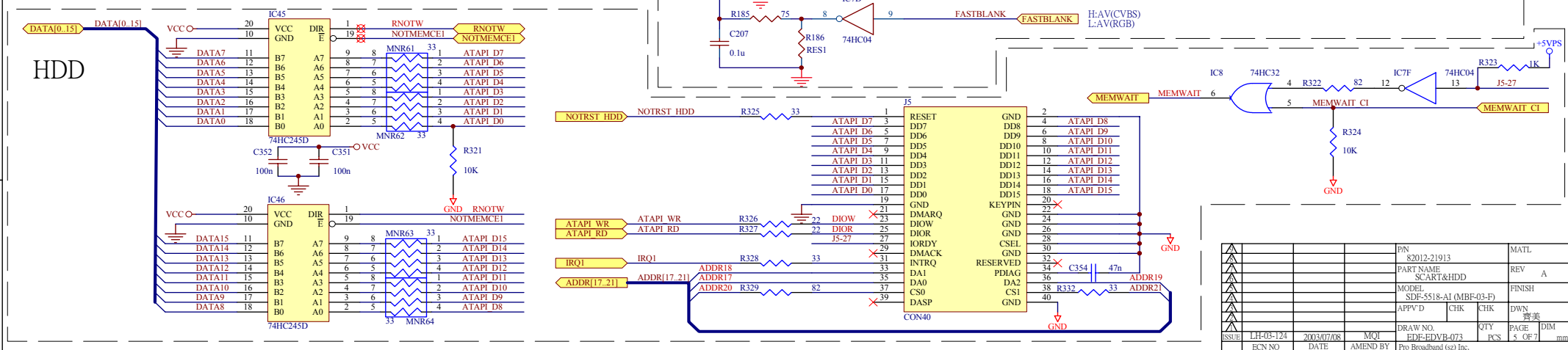


▲		P/N	82012-21913	MATL
▲		PART NAME	AUDIO&VIDEO	REV A
▲		MODEL	SDF-5518-A1 (MBF-03-F)	FINISH
▲		APP'V D	CHK	CHR
▲		DRAW NO.	EDE-EDVB-073	QTY
▲		ISSUE	LH-03-124	PC'S
▲		DATE	2003/07/08	4
▲		AMEND BY	MOI	OF 7
▲			Pro Broadband (sz) Inc.	mm

# SCART



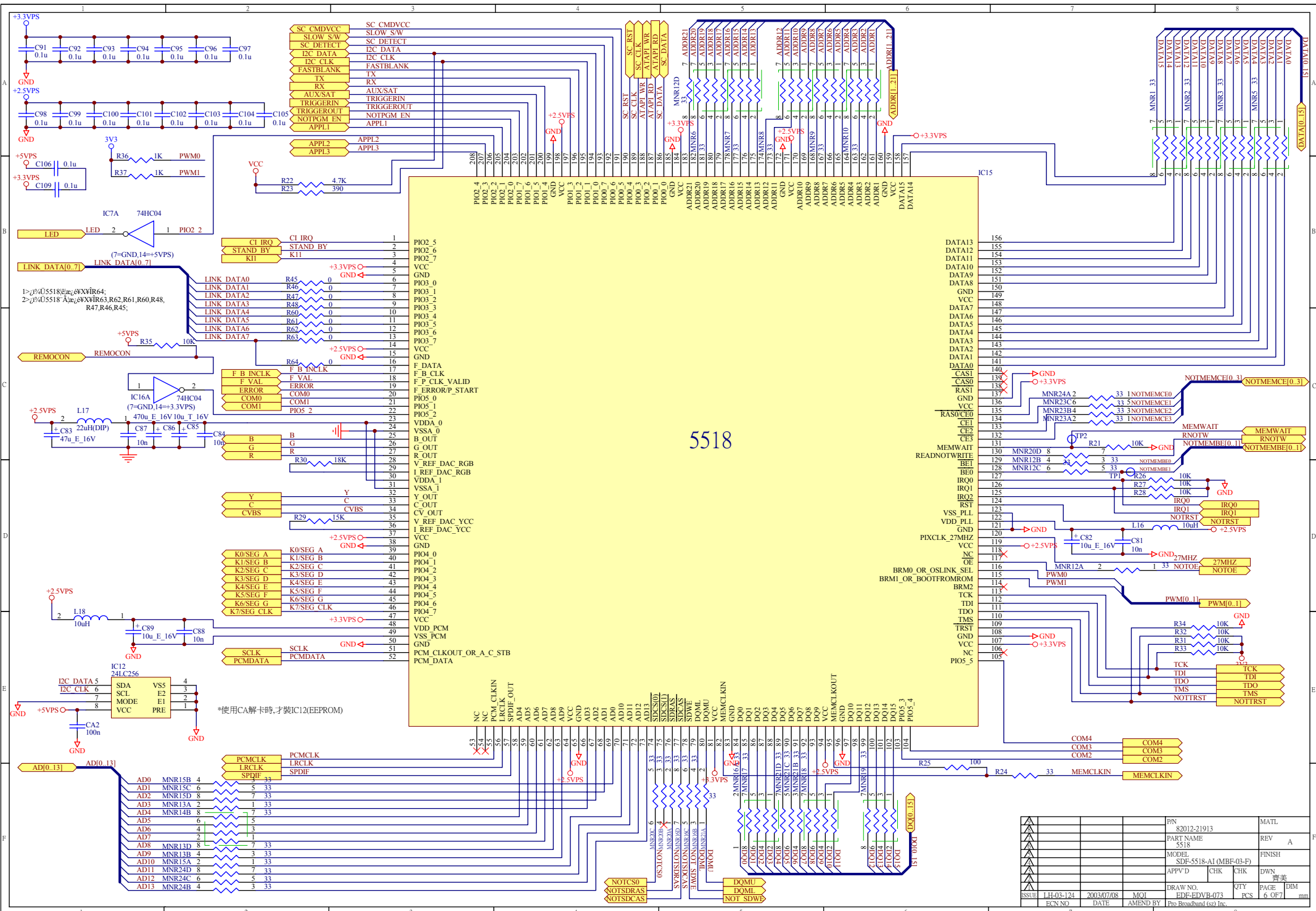
# HDD



ISSUE	DATE	AMEND BY	DRAW NO.	QTY	DIM
LH-03-124	2003/07/08	MQJ	EDE-EDVB-073	PCS	5 OF 7
ECN NO					mm

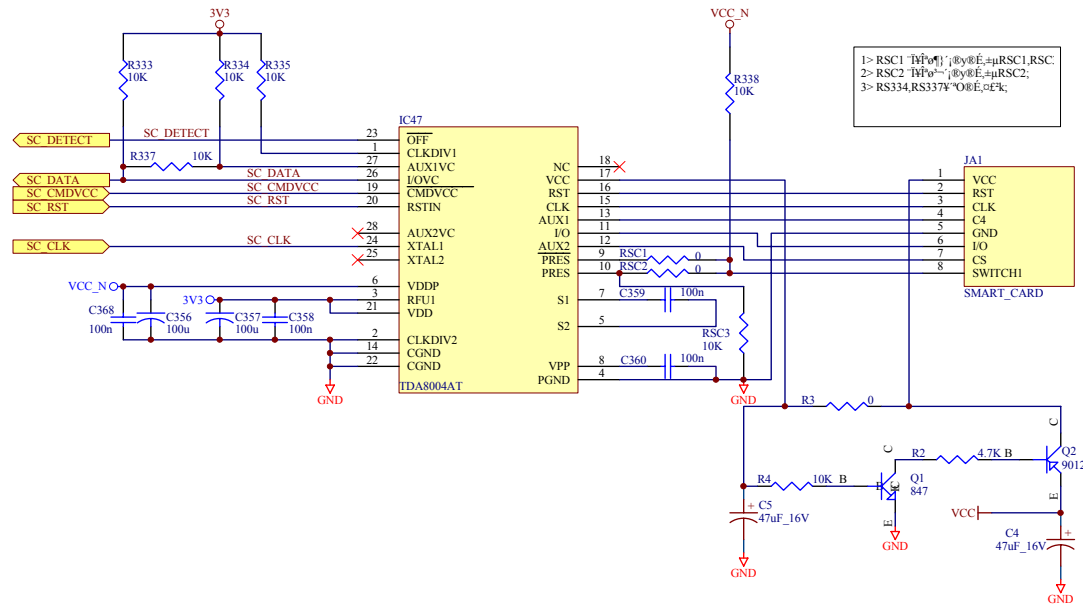
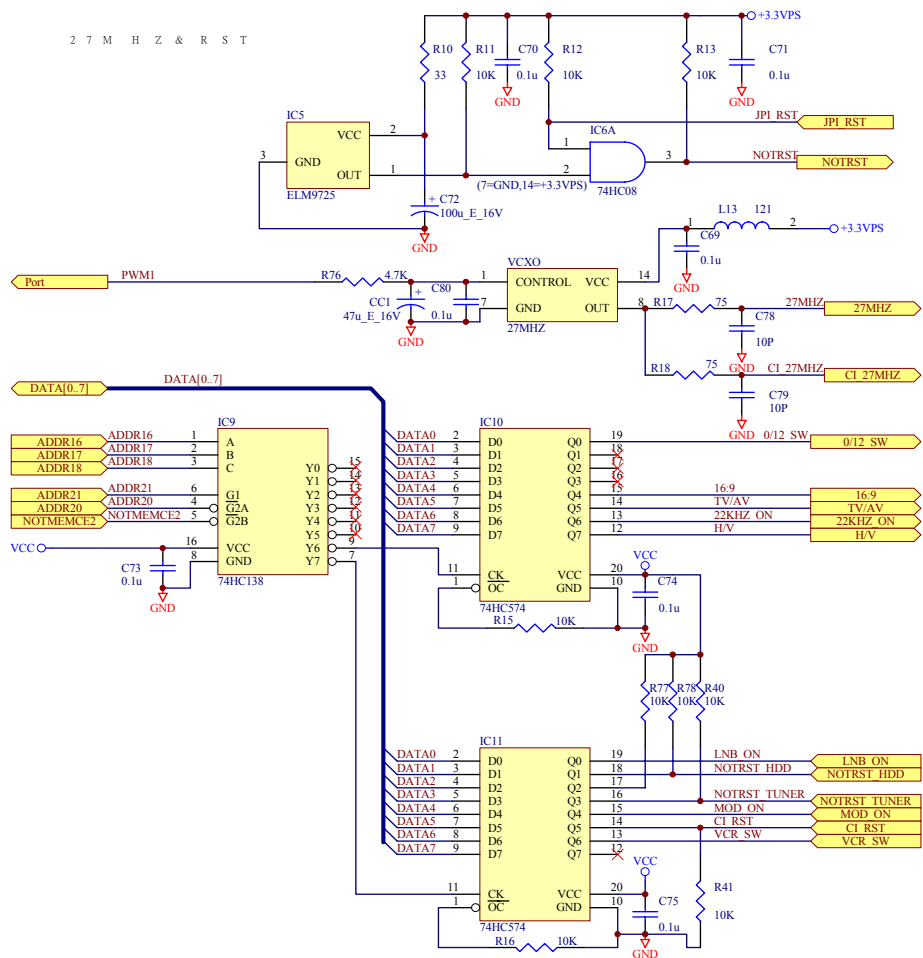
  

MODEL	PN	MATL
SDF-5518-AI (MFB-03-F)	82012-21913	
APPV'D	CHK	DWN
		齊美
		FINISH
		REV A



5518

PN	82012-21913	MATL
PART NAME	5518	REV
MODEL	SDP-5518-A1 (MBF-03-F)	FINISH
APP'D	CHK	CHK
DRAW NO.	EDF-EDYVR-073	QTY
ISSUE	1.1H-03:124	DATE
ECN NO.	2003/07/08	MOI
AMEND BY	Pro Broadband (sz) Inc.	PC8



△				P/N	82012-21913	MATL
△				PART NAME	Smart card&27MHZ&RST	REV A
△				MODEL	SDF-5518-A1 (MBF-03-F)	FINISH
△				APPV'D	CHK	CHK
△				DRAW NO.	EDE-EDVB-073	QTY
△				ISSUE	LH-03-124	DATE
				AMEND BY	MOI	PCB
					Pro Broadband (sz) Inc.	