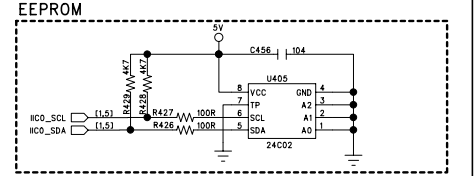
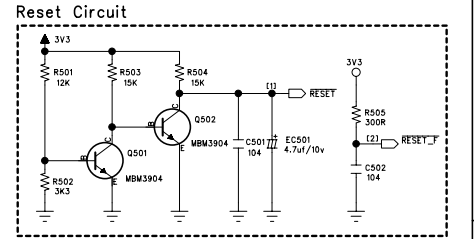
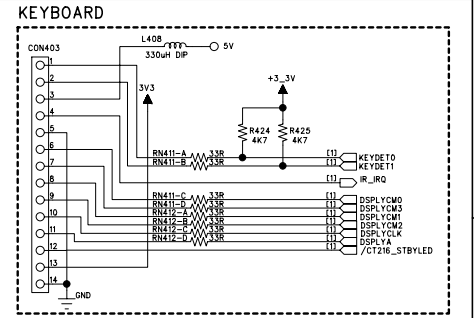
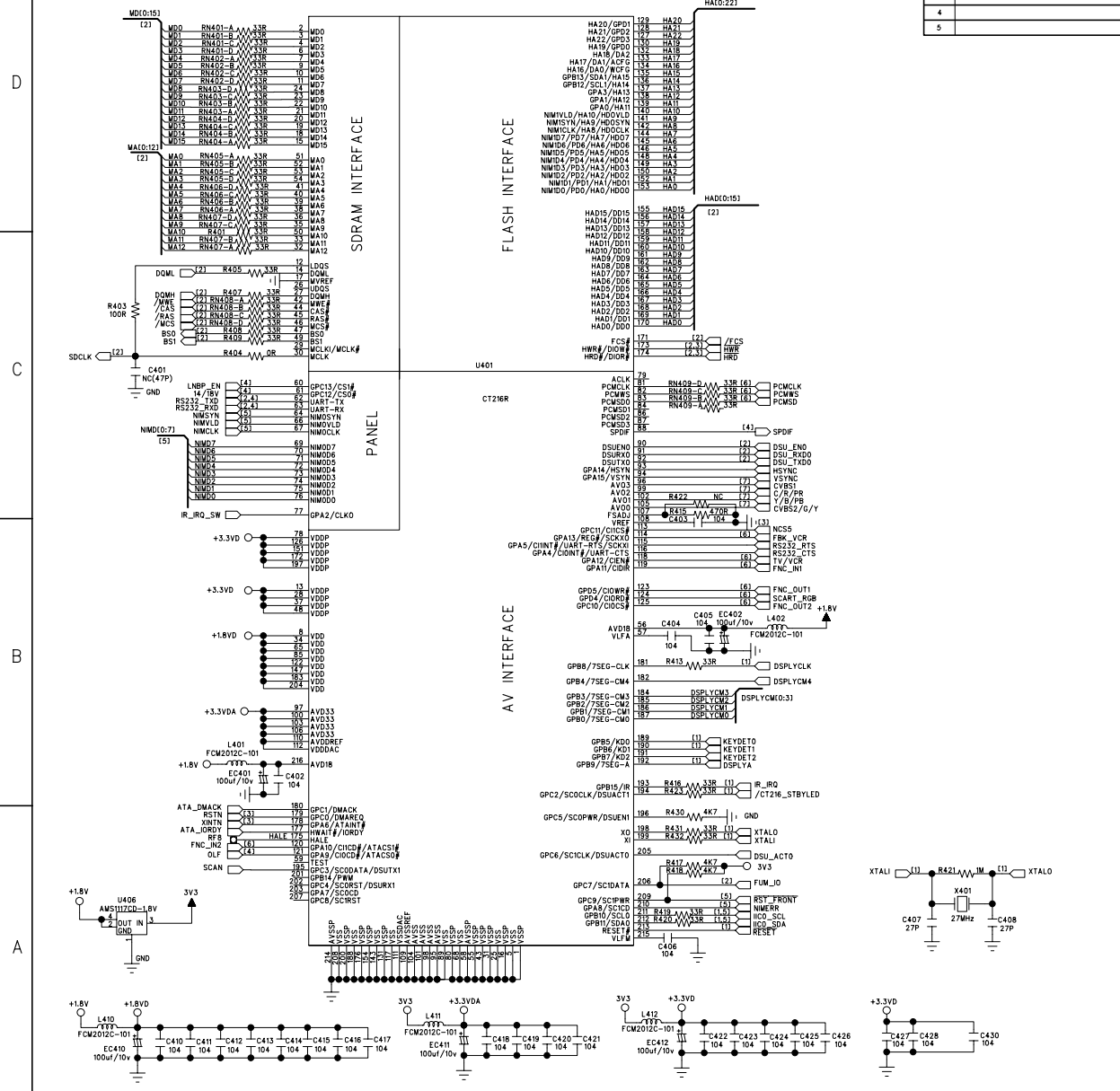


REV.	HISTORY OF MODIFICATIONS	CHECK BY	APP BY	DATE
1				
2				
3				
4				
5				



Digital Telemidia Co.,Ltd.			
DESCRIPTION	MCU		
DOC.NO.:		MODEL NO.:	
SCH P/N:		PROJECT CODE:	
PCB P/N:		DOC. REV.:	V1.0
DESIGNED BY: QGLIAO		060705	
DRAWN BY:			
CHECKED BY:			
APPROVED BY:			
SIZE:		SHEET: 1 OF 7	

THIS DOCUMENT IS THE PROPERTY OF DIGITAL TELEMEDIA CO., LTD. THE CONTENTS OF THIS DOCUMENT ARE CONFIDENTIAL AND CONSTITUTE TRADE SECRET/PROPRIETARY TO DIGITAL TELEMEDIA CO., LTD.

NEITHER THIS DOCUMENT NOR ITS CONTENTS SHALL BE DISCLOSED TO ANY UNAUTHORIZED PERSON, COPIED OR PUBLISHED WITHOUT DIGITAL TELEMEDIA CO., LTD.'S PRIOR WRITTEN CONSENT. COPYRIGHT © 2003 DIGITAL TELEMEDIA CO., LTD.

6

5

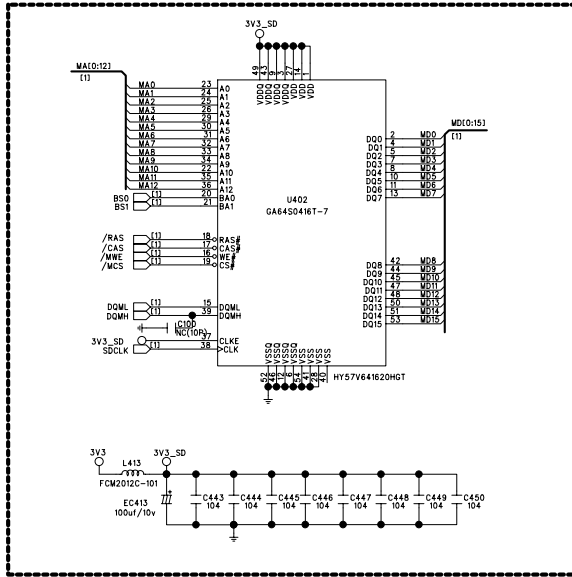
4

3

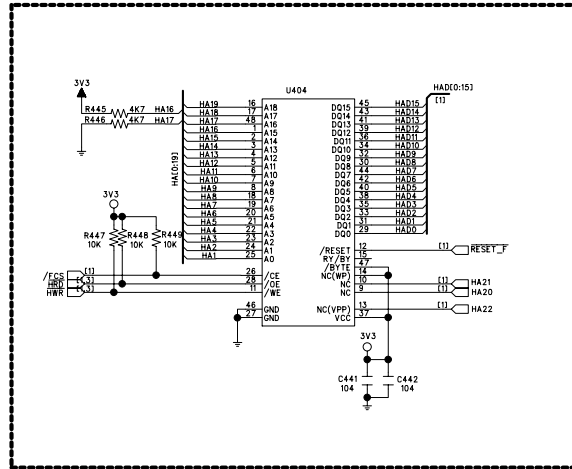
2

1

SDRAM

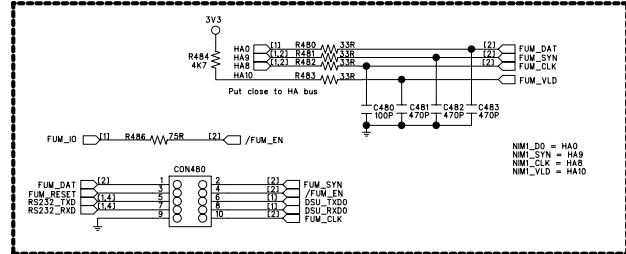


FLASH

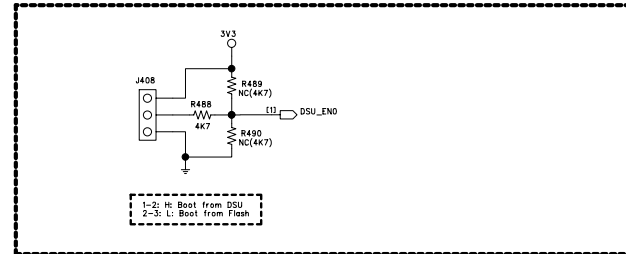


REV.	HISTORY OF MODIFICATIONS	CHECK BY	APP BY	DATE
1				
2				
3				
4				
5				

FUM IF



DSUENO



Digital Telemidia Co.,Ltd.			
DESCRIPTION	SDRAM_FLASH_DEBUG		
DOC.NO.:	MODEL NO.:		
SCH P/N:	PROJECT CODE:		
PCB P/N:	DOC. REV.:	V1.0	
THIS DOCUMENT IS THE PROPERTY OF DIGITAL TELEMEDIA CO., LTD. THE CONTENTS OF THIS DOCUMENT ARE CONFIDENTIAL AND CONSTITUTE TRADE SECRET/PROPRIETARY TO DIGITAL TELEMEDIA CO., LTD.			
DESIGNED BY:	QGLIAO	060705	SIGN DATE
DRAWN BY:			SIGN DATE
CHECKED BY:			SIGN DATE
APPROVED BY:			SIGN DATE
SIZE:	SHEET: 2 OF 7		

7

6

5

4

3

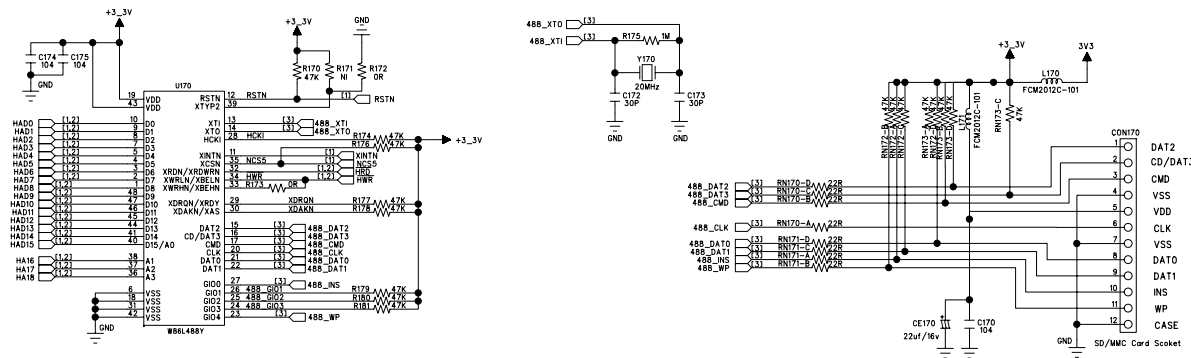
2

1

REV.	HISTORY OF MODIFICATIONS	CHECK.BY	APP.BY	DATE
1				
2				

D
C
B
A

D
C
B
A



Digital Telemedia Co.,Ltd.			
DESCRIPTION	SD CARD		
DOC.NO.:		MODEL NO.:	
SCH P/N:		PROJECT CODE:	
PCB P/N:		DOC. REV.:	V1.0
<small>THIS DOCUMENT IS THE PROPERTY OF DIGITAL TELEMEDIA CO., LTD. THE CONTENTS OF THIS DOCUMENT ARE CONFIDENTIAL AND CONSTITUTE TRADE SECRETS/PROPRIETARY TO DIGITAL TELEMEDIA CO.,LTD. NEITHER THIS DOCUMENT NOR ITS CONTENTS SHALL BE DISCLOSED TO ANY UNAUTHORIZED PERSON. COPIED OR PUBLISHED WITHOUT DIGITAL TELEMEDIA CO.,LTD.'S PRIOR WRITTEN CONSENT. COPYRIGHT © 2003 DIGITAL TELEMEDIA CO.,LTD.</small>	DESIGNED BY:	QGLIAO 060705	SIGN _____ DATE _____
	DRAWN BY:		SIGN _____ DATE _____
	CHECKED BY:		SIGN _____ DATE _____
	APPROVED BY:		SIGN _____ DATE _____
	SIZE:	SHEET: 3 OF 7	

6

5

4

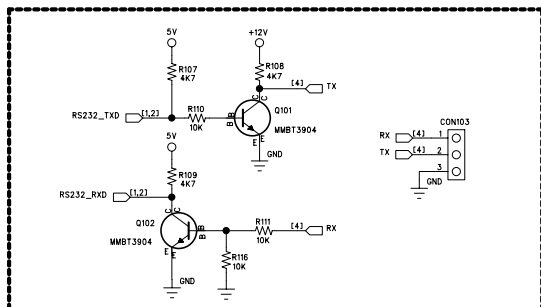
3

2

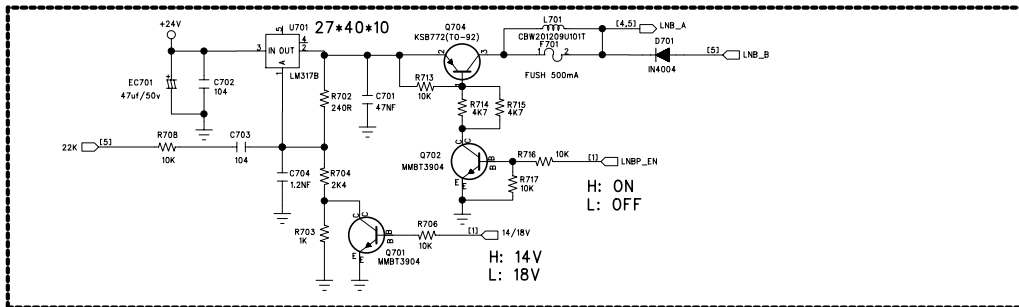
1

REV.	REVISION RECORD	CHECK BY	APP BY	DATE
1				
2				

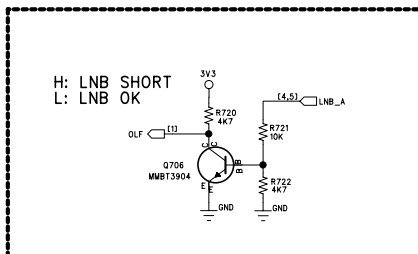
RS232 Circuit



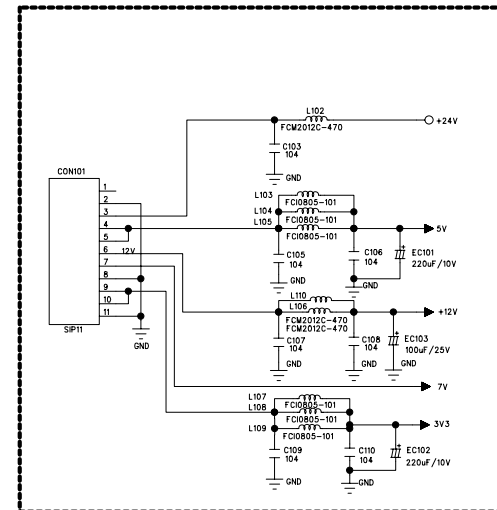
LNB Circuit



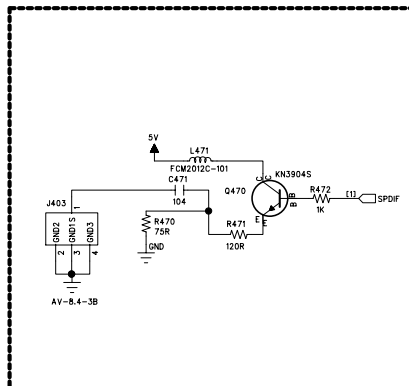
LNB SHORT DETECT



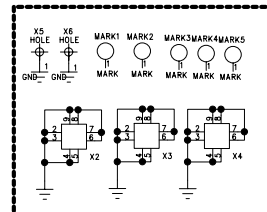
POWER SUPPLY



SPDIF



Screw Holes



Digital Telemedia Co.,Ltd.			
DESCRIPTION	LNB_RS232_RFMODULATOR		
DOC.NO.:		MODEL NO.:	
SCH P/N:		PROJECT CODE:	
PCB P/N:		DOC. REV.:	1.0
DESIGNED BY: QGLIAO		0600705	SIGN DATE
DRAWN BY:			SIGN DATE
CHECKED BY:			SIGN DATE
APPROVED BY:			SIGN DATE
NEITHER THIS DOCUMENT NOR ITS CONTENTS SHALL BE DISCLOSED TO ANY UNAUTHORIZED PERSON COPIED OR PUBLISHED WITHOUT DIGITAL TELEMEDIA CO.,LTD.'S PRIOR WRITTEN CONSENT.		SIZE: C	SHEET: 4 OF 7

D

C

B

A

D

C

B

A

6

5

4

3

2

1

REV.	REVISION RECORD	CHECK BY	APP BY	DATE
1				
2				

D

C

B

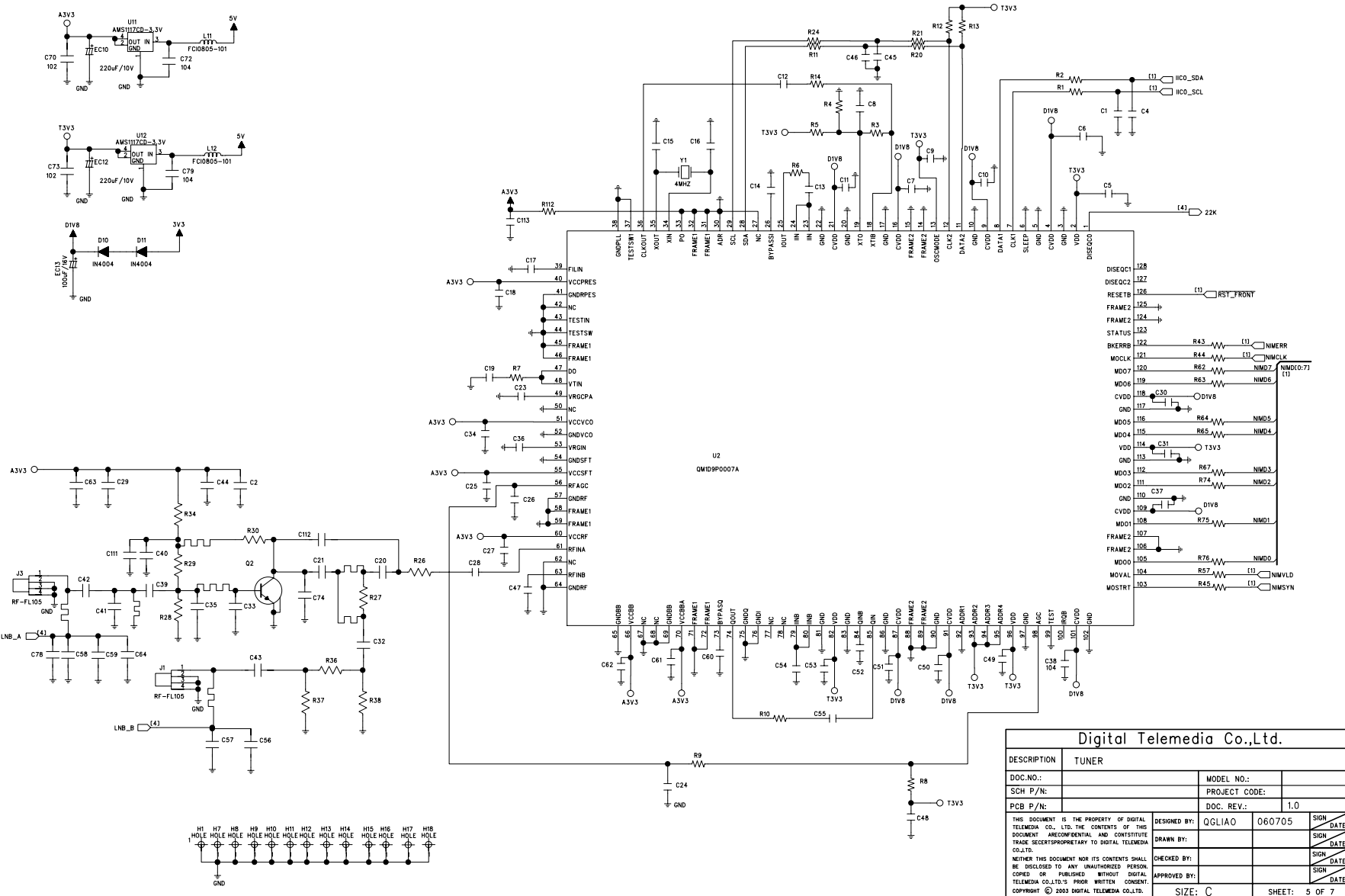
A

D

C

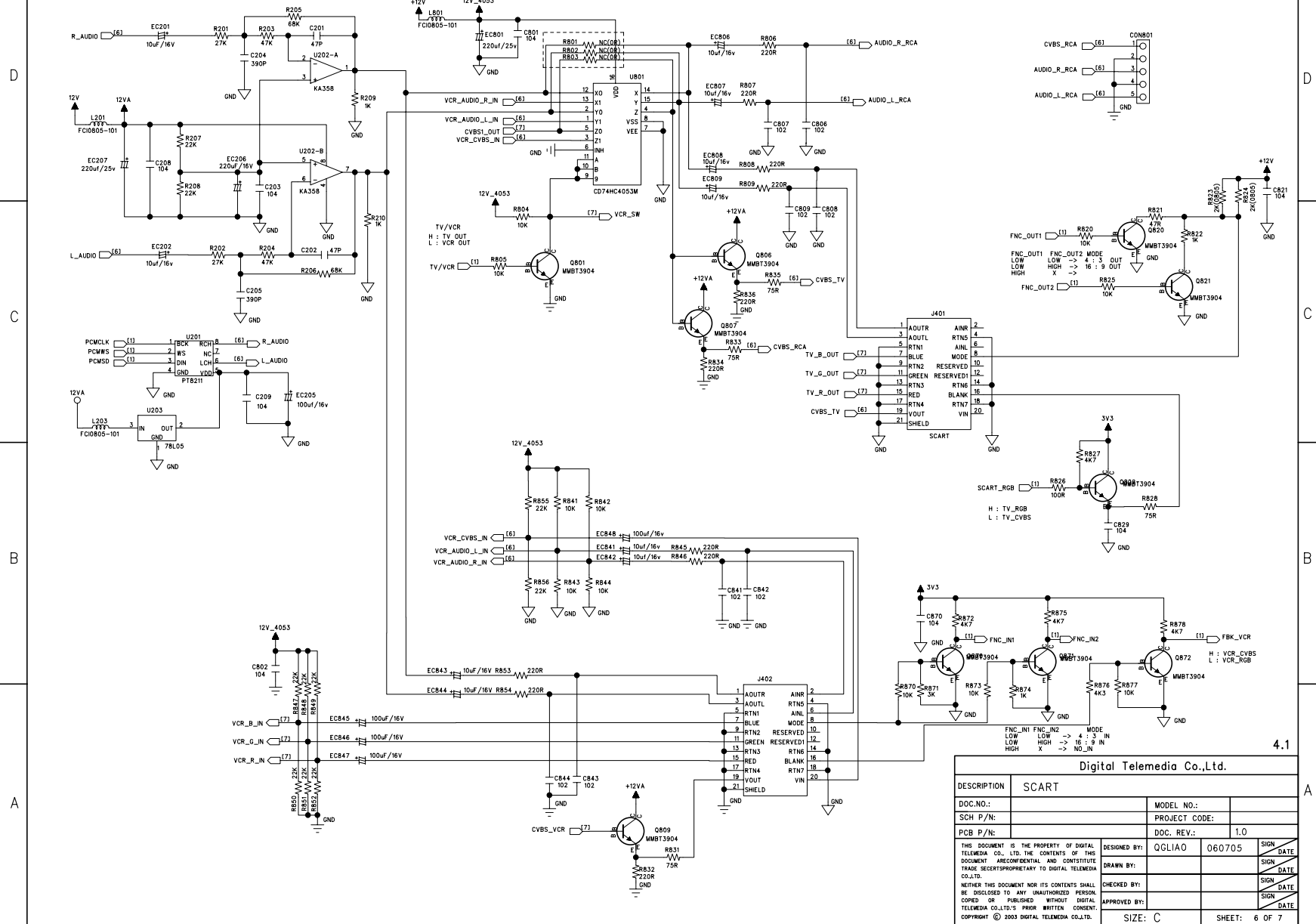
B

A



Digital Telemedia Co.,Ltd.			
DESCRIPTION	TUNER		
DOC.NO.:		MODEL NO.:	
SCH P/N:		PROJECT CODE:	
PCB P/N:		DOC. REV.:	1.0
<small>THIS DOCUMENT IS THE PROPERTY OF DIGITAL TELEMEDIA CO., LTD. THE CONTENTS OF THIS DOCUMENT ARE CONFIDENTIAL AND CONSTITUTE TRADE SECRETS/PROPRIETARY TO DIGITAL TELEMEDIA CO., LTD.</small> <small>NEITHER THIS DOCUMENT NOR ITS CONTENTS SHALL BE DISCLOSED TO ANY UNAUTHORIZED PERSON COPIED OR PUBLISHED WITHOUT DIGITAL TELEMEDIA CO., LTD.'S PRIOR WRITTEN CONSENT.</small> <small>COPYRIGHT © 2003 DIGITAL TELEMEDIA CO., LTD.</small>	DESIGNED BY:	QGLIAO	060705
	DRAWN BY:		
	CHECKED BY:		
	APPROVED BY:		
	SIGN	DATE	
	SIGN	DATE	
	SIGN	DATE	
	SIGN	DATE	
	SIZE: C	SHEET: 5 OF 7	

REV.	HISTORY OF MODIFICATIONS	CHECK BY	APP BY	DATE
1				
2				



Digital Telemedia Co.,Ltd.			
DESCRIPTION		SCART	
DOC.NO.:		MODEL NO.:	
SCH P/N:		PROJECT CODE:	
PCB P/N:		DOC. REV.:	1.0
THIS DOCUMENT IS THE PROPERTY OF DIGITAL TELEMEDIA CO., LTD. THE CONTENTS OF THIS DOCUMENT ARE CONFIDENTIAL AND CONSTITUTE TRADE SECRET/PROPRIETARY TO DIGITAL TELEMEDIA CO., LTD.		DESIGNED BY:	QGLIAO 060705
NEITHER THIS DOCUMENT NOR ITS CONTENTS SHALL BE DISCLOSED TO ANY UNAUTHORIZED PERSON, COPIED OR PUBLISHED WITHOUT DIGITAL TELEMEDIA CO., LTD.'S PRIOR WRITTEN CONSENT. COPYRIGHT © 2003 DIGITAL TELEMEDIA CO., LTD.		DRAWN BY:	
		CHECKED BY:	
		APPROVED BY:	
		SIZE:	C
		SHEET:	6 OF 7

6

5

4

3

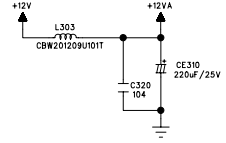
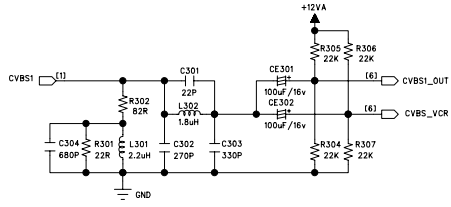
2

1

REV.	REVISION RECORD	CHECK BY	APP BY	DATE
1				
2				

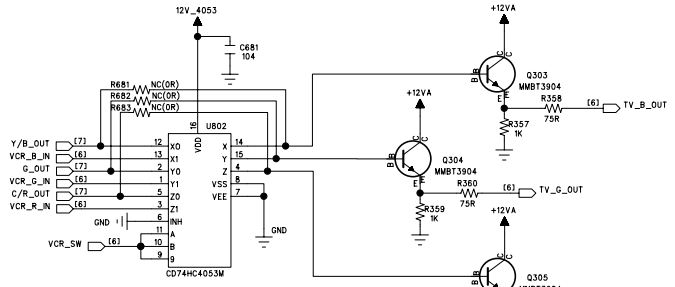
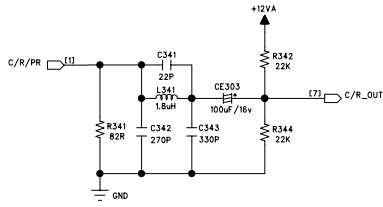
D

D



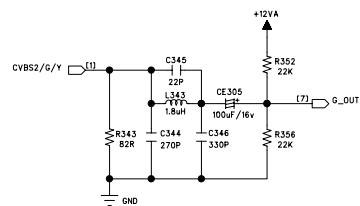
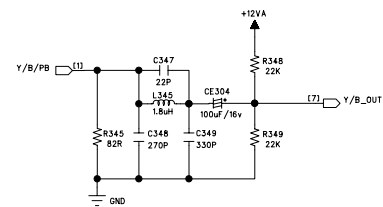
C

C



B

B



A

A

Digital Telemedia Co.,Ltd.				
DESCRIPTION	VIDEO			
DOC.NO.:		MODEL NO.:		
SCH P/N:		PROJECT CODE:		
PCB P/N:		DOC. REV.:	1.0	
<small>THIS DOCUMENT IS THE PROPERTY OF DIGITAL TELEMEDIA CO., LTD. THE CONTENTS OF THIS DOCUMENT ARE CONFIDENTIAL AND CONSTITUTE TRADE SECRET/PROPRIETARY TO DIGITAL TELEMEDIA CO., LTD.</small> <small>NEITHER THIS DOCUMENT NOR ITS CONTENTS SHALL BE DISCLOSED TO ANY UNAUTHORIZED PERSON COPIED OR PUBLISHED WITHOUT DIGITAL TELEMEDIA CO., LTD.'S PRIOR WRITTEN CONSENT.</small> <small>COPYRIGHT © 2003 DIGITAL TELEMEDIA CO., LTD.</small>	DESIGNED BY:	QGLIAO	060705	SIGN / DATE
	DRAWN BY:			SIGN / DATE
	CHECKED BY:			SIGN / DATE
	APPROVED BY:			SIGN / DATE
SIZE: C			SHEET: 7 OF 7	