

4

3

2

1



D

D

FRONT END

PAL ENCODE

POWER SWITCHING

C

C

TRANSPORT DEMUX

AUDIO DAC

PORTS

B

B

A/V DECODE

A/V SWITCHING

A

A

CONTRACT NO.		COMPANY NAME			
		STRONG			
APPROVALS	DATE	DWG			
DRAWN	12/6/01	SRT4300/4400/4450/4475 MAIN BOARD			
CHECKED		SIZE	FSCM NO.	DWG NO.	REV
		C			2.9
ISSUED		SCALE		SHEET	1/9



4

3

2

1

D

D

C

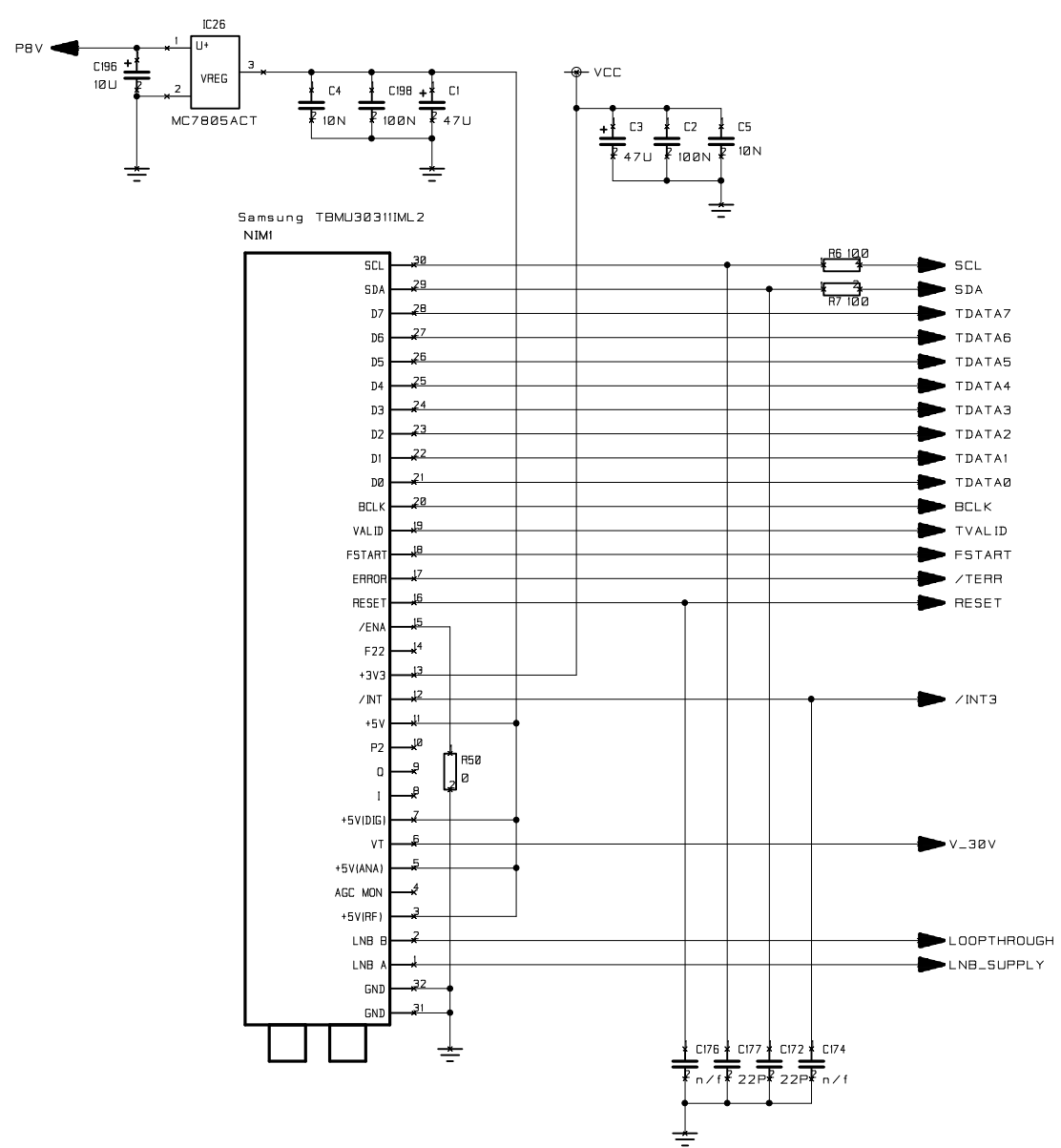
C

B

B

A

A

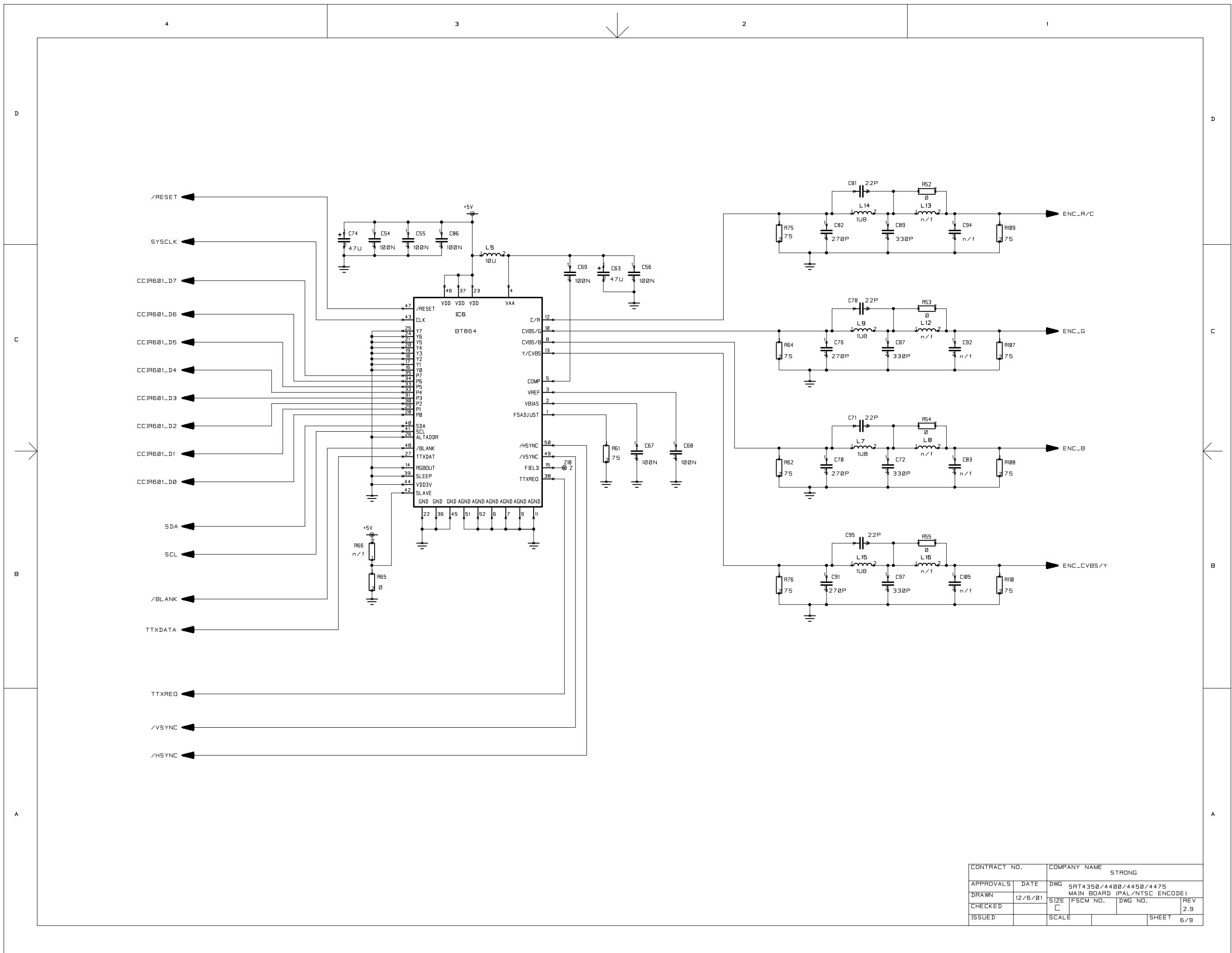


CONTRACT NO.		COMPANY NAME			
		STRONG			
APPROVALS	DATE	DWG	SRT4350/4400/4450/4475		
DRAWN	12/6/01	MAIN BOARD (FRONT END)			
CHECKED		SIZE	FSCM NO.	DWG NO.	REV
ISSUED		C			2.9
		SCALE			SHEET 2/9

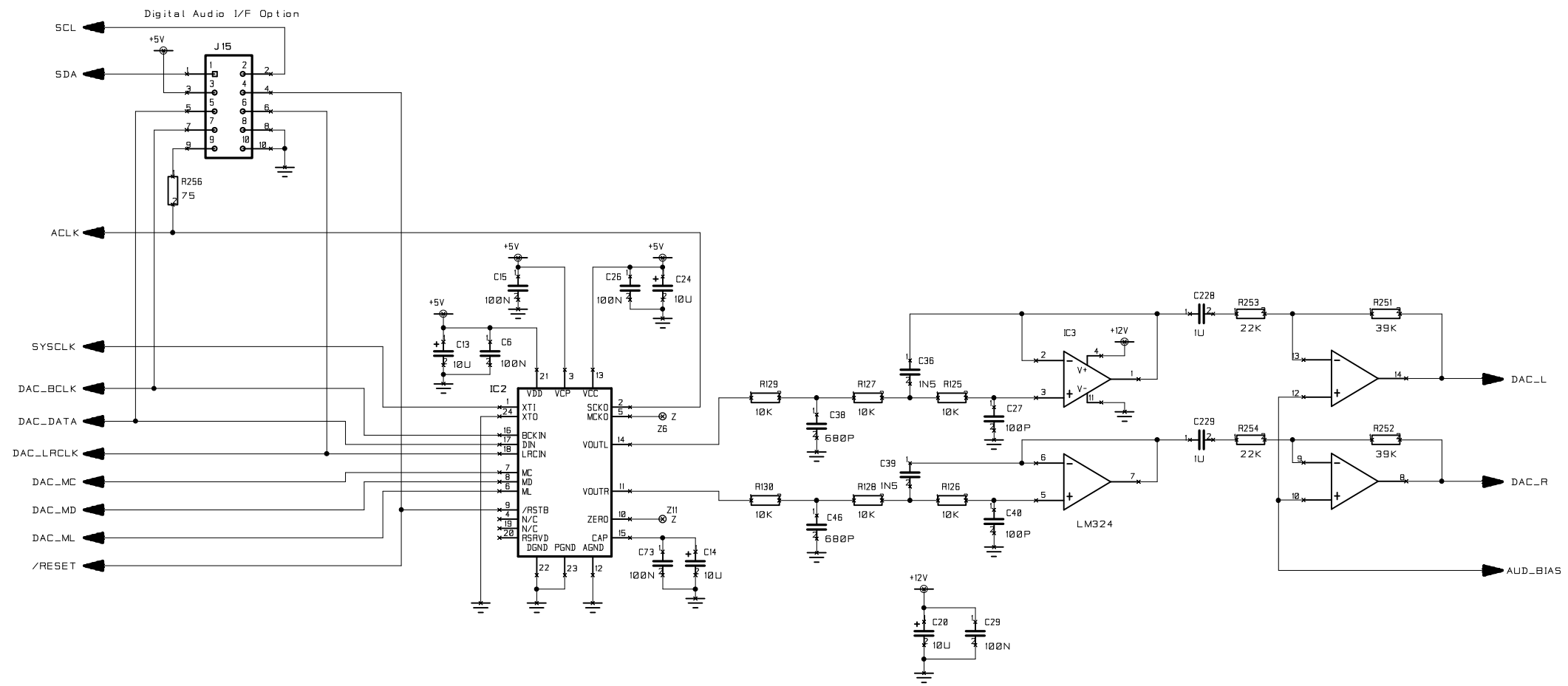




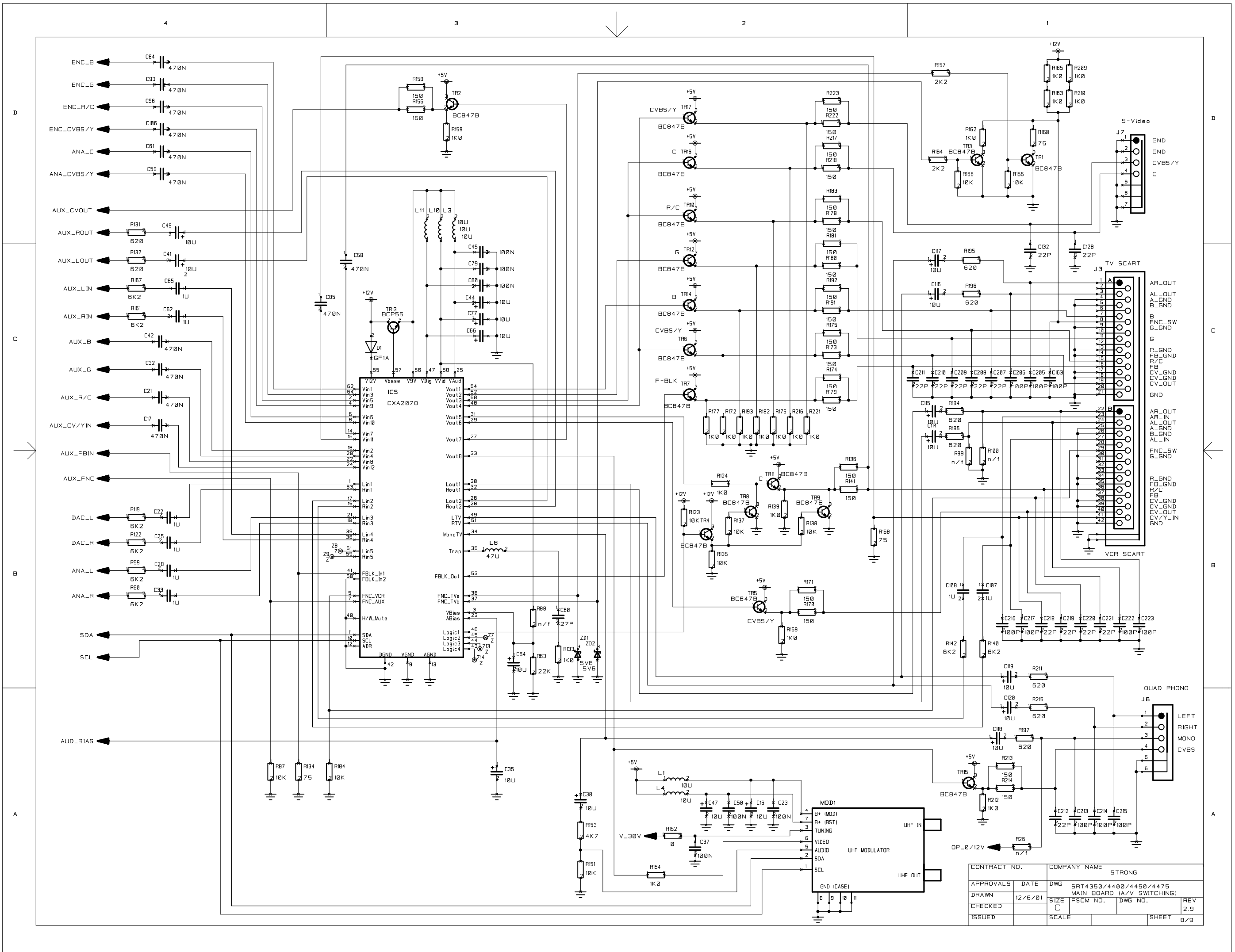




CONTRACT NO.		COMPANY NAME			
		STRONG			
APPROVALS	DATE	DWG SRT4350/4400/4450/4475			
DRAWN	12/6/01	MAIN BOARD (PAL/NTSC ENCODE)			
CHECKED		SIZE	FSCM NO.	DWG NO.	REV
ISSUED		C			2.9
		SCALE		SHEET	6/9

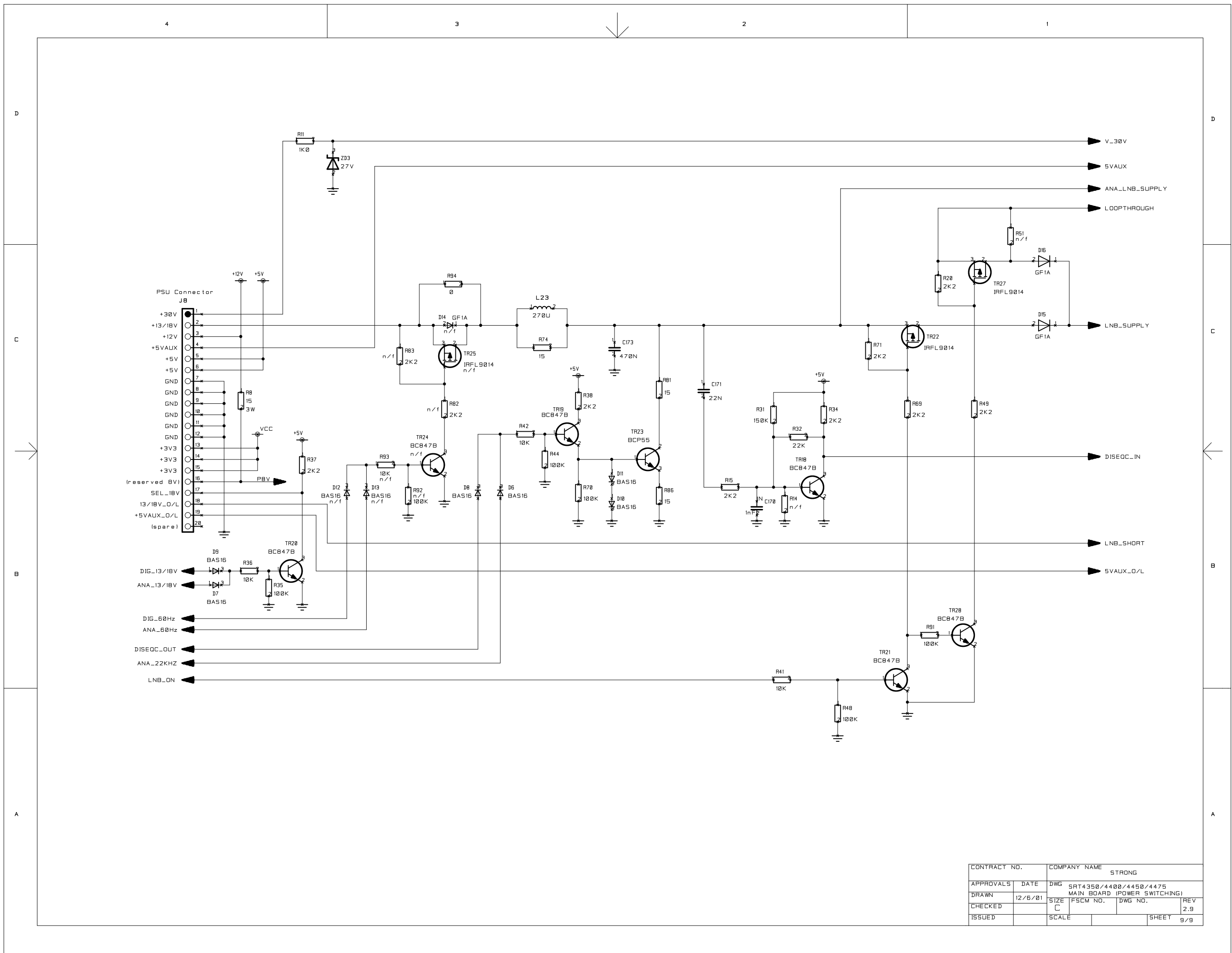


CONTRACT NO.		COMPANY NAME STRONG			
APPROVALS	DATE	DWG SRT4350/4400/4450/4475			
DRAWN	12/6/01	MAIN BOARD (AUDIO DAC)			
CHECKED		SIZE C	FSCM NO.	DWG NO.	REV 2.9
ISSUED		SCALE		SHEET	7/9

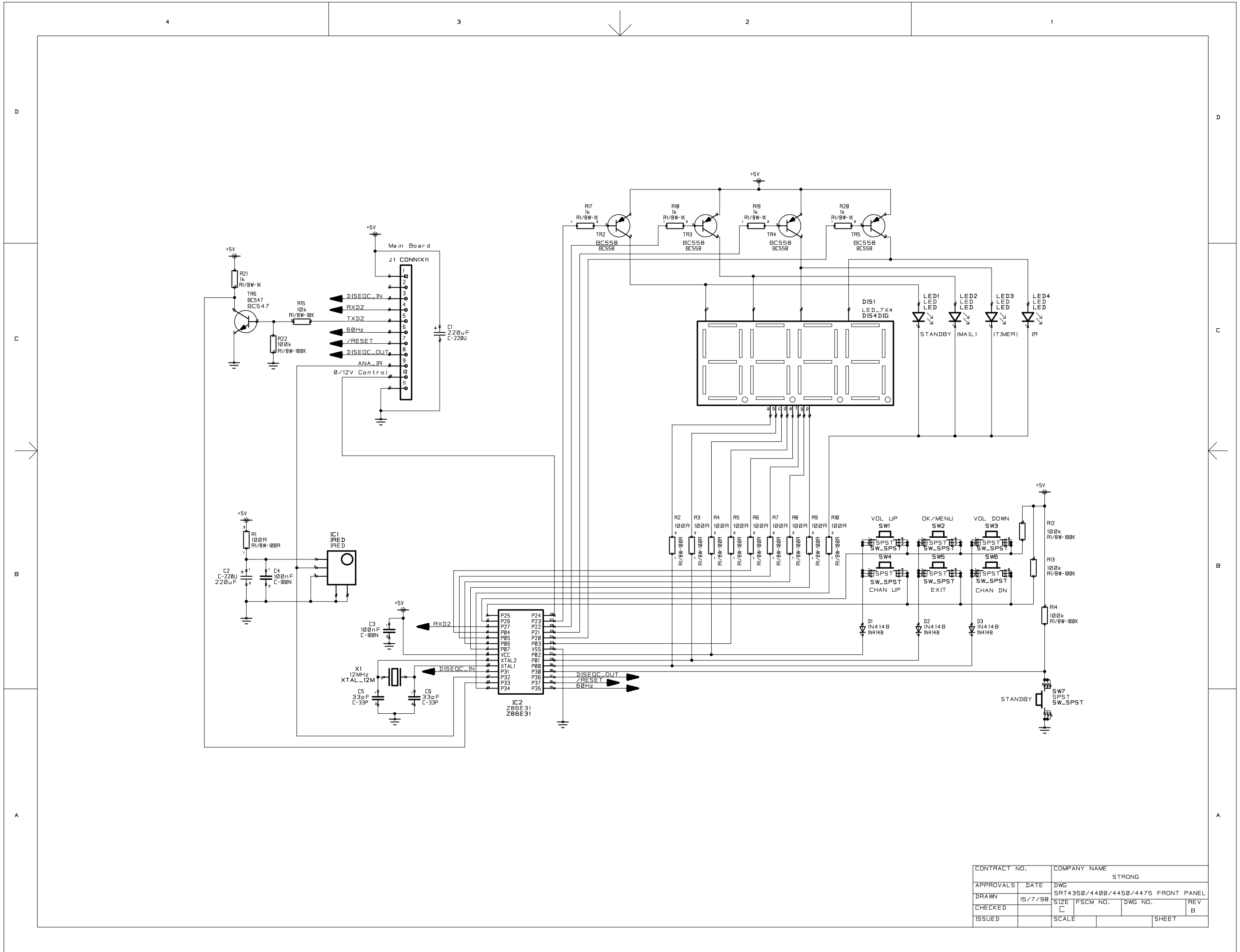


CONTRACT NO.		COMPANY NAME	
APPROVALS		STRONG	
DATE	DWG	SRT4350/4400/4450/4475	
12/6/01	MAIN BOARD (A/V SWITCHING)		
CHECKED	SIZE	FSCM NO.	DWG NO.
C			
ISSUED	SCALE		SHEET
			8/9

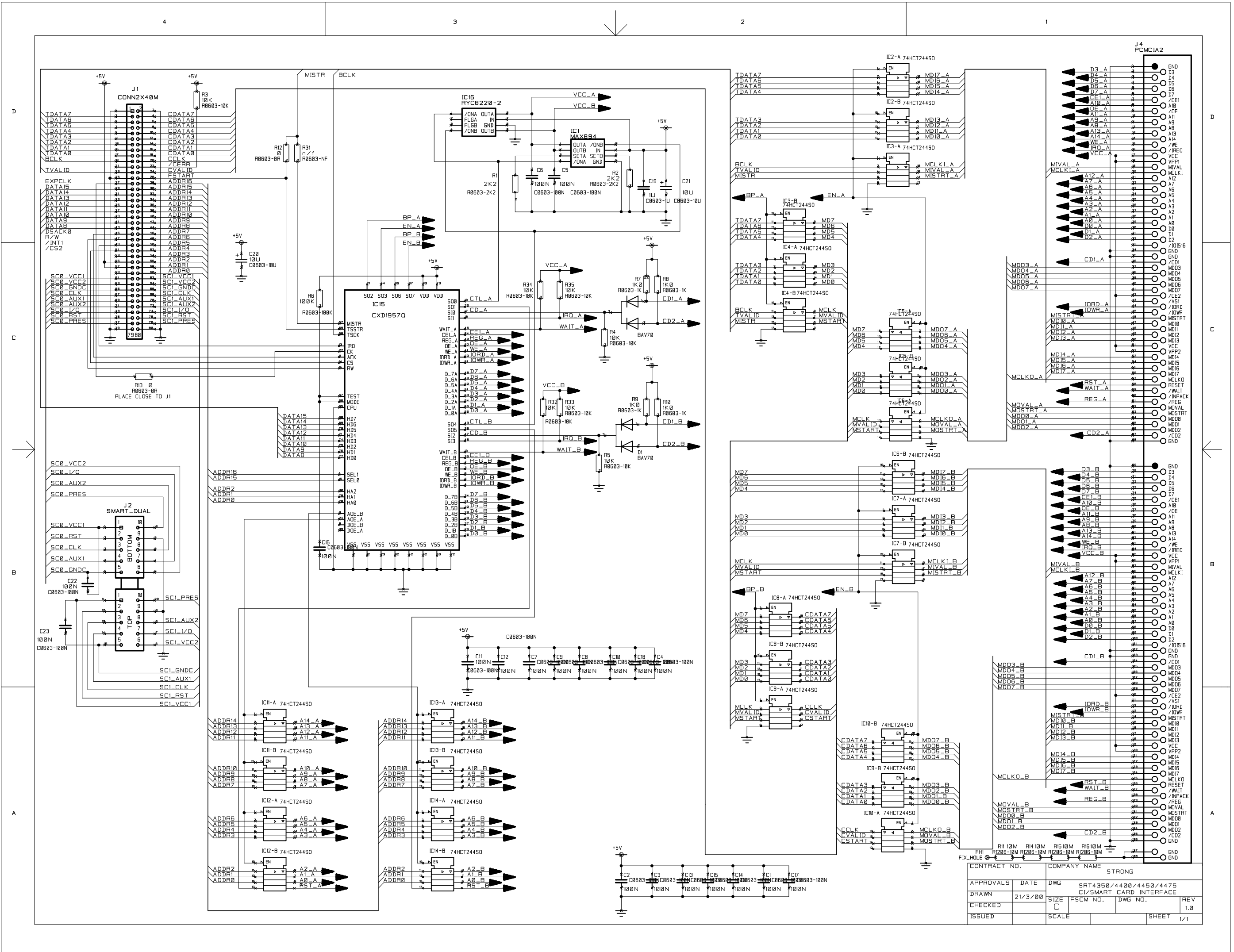




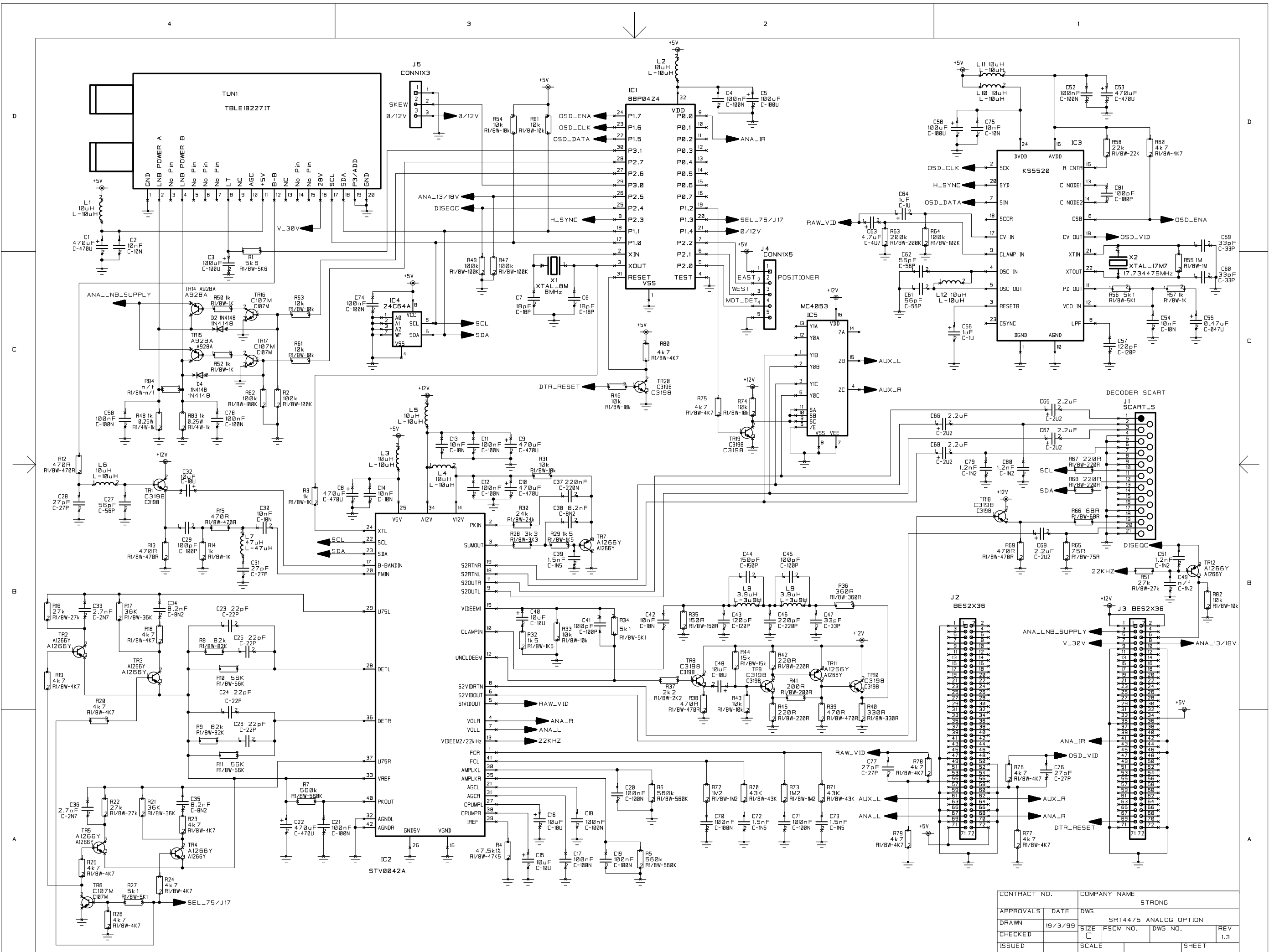
CONTRACT NO.		COMPANY NAME STRONG			
APPROVALS	DATE	DWG SRT4350/4400/4450/4475			
DRAWN	12/6/01	MAIN BOARD (POWER SWITCHING)			
CHECKED		SIZE C	FSCM NO.	DWG NO.	REV 2.9
ISSUED		SCALE		SHEET	9/9



CONTRACT NO.		COMPANY NAME			
		STRONG			
APPROVALS	DATE	DWG			
DRAWN	15/7/98	SRT4350/4400/4450/4475 FRONT PANEL			
CHECKED		SIZE	FSCM NO.	DWG NO.	REV
ISSUED		C			B
		SCALE			SHEET



CONTRACT NO.		COMPANY NAME	
APPROVALS		STRONG	
DATE	DWG	SRT4350/4400/4450/4475	
21/3/00	C1/SMART CARD INTERFACE	SIZE	FSCM NO.
CHECKED	C	DWG NO.	REV
ISSUED	SCALE	SHEET	1/1



CONTRACT NO.		COMPANY NAME			
		STRONG			
APPROVALS	DATE	DWG	SRT4475 ANALOG OPTION		
DRAWN	19/3/99	SIZE	FSCM NO.	DWG NO.	REV
CHECKED		C			1.3
ISSUED		SCALE			SHEET