



# 工程指導書

頁次: /  
版本: A1

機種名稱 DVB9004(ALIO302)-A5

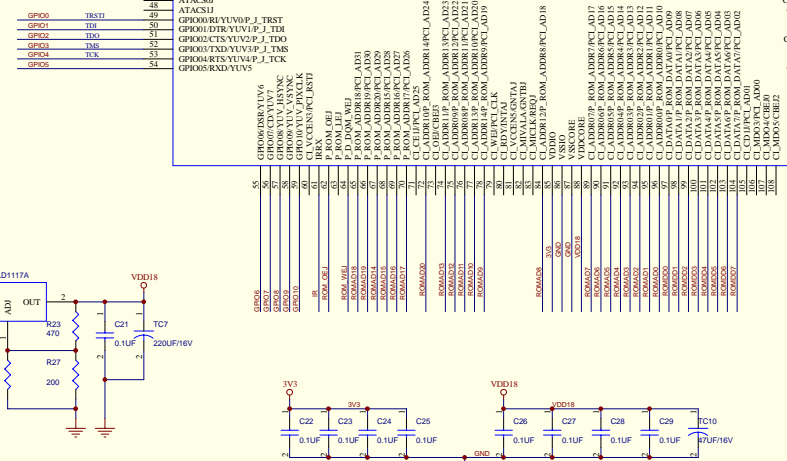
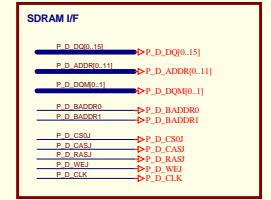
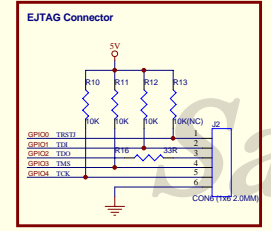
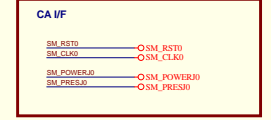
機種功能 數字衛星接收機

日期

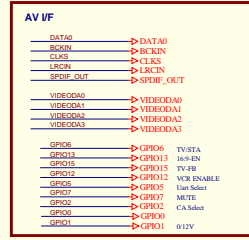
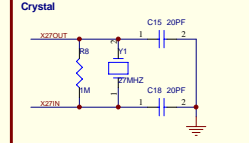
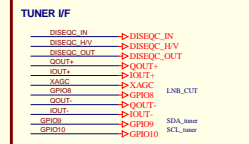
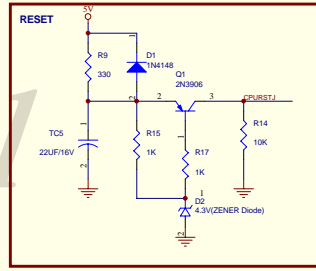
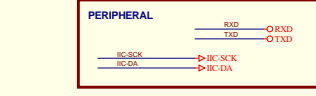
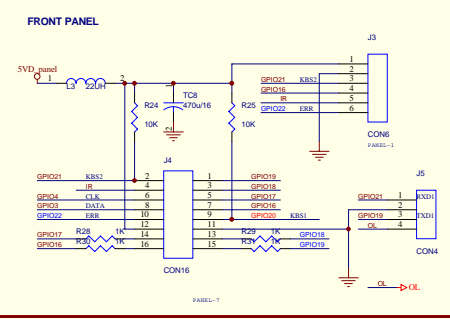
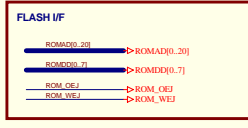
原理圖

圖號

內容



3V3	1	VDDIO	162	PLLAVCC
GNP	2	VSSIO	161	GNP
P.D. DQ0	3	P.D. DQ05	160	ADVDD
P.D. DQ1	4	P.D. DQ06	159	P.X7OUT
P.D. DQ2	5	P.D. DQ07	158	P.X7IN
P.D. CAS0	6	P.D. ADDR0	157	XANAST1GPI015
P.D. RAS0	7	P.D. ADDR1	156	XANAST1GPI014
P.D. WE0	8	P.D. ADDR2	155	P.CRTST
P.D. CLK	9	P.D. ADDR3	154	DISEQC_HV
	10	P.D. ADDR4	153	DISEQC_OUT
	11	P.D. ADDR5	152	DISEQC_OUT
	12	P.D. ADDR6	151	DISEQC_IN
	13	P.D. ADDR7	150	IC-DA
	14	P.D. ADDR8	149	IC-DA
	15	P.D. ADDR9	148	IC-SCX
	16	P.D. ADDR10	147	VSSCORE
	17	P.D. ADDR11	146	VSSCORE
	18	P.D. DQM0	145	EX_MD0
	19	VSSCORE	144	EX_MD1
	20	ATARSEJT0	143	EX_MD2
	21	ATAD07	142	EX_MD3
	22	ATAD08	141	EX_MD4
	23	ATAD09	140	EX_MD5
	24	ATAD0A	139	EX_MD6
	25	ATAD0B	138	EX_MD7
	26	ATAD0C	137	EX_MD8
	27	ATAD0D	136	EX_MVALA
	28	ATAD0E	135	EX_MISTR
	29	ATAD0F	134	VSSIO
	30	VDDIO	133	EX_MIBRR
	31	GNP	132	CL_CD21/IC1_RST
	32	VDD18	131	CL_M001/IC1_D
	33	VSS18	129	CL_M001/IC1_POWEREN
	34	VSSCORE	128	CL_M001/IC1_POWEREN
	35	VSSCORE	127	CL_M001/IC1_POWEREN
	36	ATAD02	126	CL_M001/IC1_POWEREN
	37	ATAD03	125	CL_M001/IC1_POWEREN
	38	ATAD04	124	CL_M001/IC1_POWEREN
	39	ATAD05	123	CL_M001/IC1_POWEREN
	40	ATAD06	122	CL_M001/IC1_POWEREN
	41	ATAD07	121	CL_M001/IC1_POWEREN
	42	ATAD08	120	CL_M001/IC1_POWEREN
	43	ATAD09	119	CL_M001/IC1_POWEREN
	44	ATAD0A	118	CL_M001/IC1_POWEREN
	45	ATAD0B	117	CL_M001/IC1_POWEREN
	46	ATAD0C	116	CL_M001/IC1_POWEREN
	47	ATAD0D	115	CL_M001/IC1_POWEREN
	48	ATAD0E	114	CL_M001/IC1_POWEREN
	49	ATAD0F	113	CL_M001/IC1_POWEREN
	50	ATAD0G	112	CL_M001/IC1_POWEREN
	51	ATAD0H	111	CL_M001/IC1_POWEREN
	52	ATAD0I	110	CL_M001/IC1_POWEREN
	53	ATAD0J	109	CL_M001/IC1_POWEREN
	54	ATAD0K	108	CL_M001/IC1_POWEREN
	55	ATAD0L	107	CL_M001/IC1_POWEREN
	56	ATAD0M	106	CL_M001/IC1_POWEREN
	57	ATAD0N	105	CL_M001/IC1_POWEREN
	58	ATAD0O	104	CL_M001/IC1_POWEREN
	59	ATAD0P	103	CL_M001/IC1_POWEREN
	60	ATAD0Q	102	CL_M001/IC1_POWEREN
	61	ATAD0R	101	CL_M001/IC1_POWEREN
	62	ATAD0S	100	CL_M001/IC1_POWEREN
	63	ATAD0T	99	CL_M001/IC1_POWEREN
	64	ATAD0U	98	CL_M001/IC1_POWEREN
	65	ATAD0V	97	CL_M001/IC1_POWEREN
	66	ATAD0W	96	CL_M001/IC1_POWEREN
	67	ATAD0X	95	CL_M001/IC1_POWEREN
	68	ATAD0Y	94	CL_M001/IC1_POWEREN
	69	ATAD0Z	93	CL_M001/IC1_POWEREN
	70	ATAD0A0	92	CL_M001/IC1_POWEREN
	71	ATAD0A1	91	CL_M001/IC1_POWEREN
	72	ATAD0A2	90	CL_M001/IC1_POWEREN
	73	ATAD0A3	89	CL_M001/IC1_POWEREN
	74	ATAD0A4	88	CL_M001/IC1_POWEREN
	75	ATAD0A5	87	CL_M001/IC1_POWEREN
	76	ATAD0A6	86	CL_M001/IC1_POWEREN
	77	ATAD0A7	85	CL_M001/IC1_POWEREN
	78	ATAD0A8	84	CL_M001/IC1_POWEREN
	79	ATAD0A9	83	CL_M001/IC1_POWEREN
	80	ATAD0A0	82	CL_M001/IC1_POWEREN
	81	ATAD0A1	81	CL_M001/IC1_POWEREN
	82	ATAD0A2	80	CL_M001/IC1_POWEREN
	83	ATAD0A3	79	CL_M001/IC1_POWEREN
	84	ATAD0A4	78	CL_M001/IC1_POWEREN
	85	ATAD0A5	77	CL_M001/IC1_POWEREN
	86	ATAD0A6	76	CL_M001/IC1_POWEREN
	87	ATAD0A7	75	CL_M001/IC1_POWEREN
	88	ATAD0A8	74	CL_M001/IC1_POWEREN
	89	ATAD0A9	73	CL_M001/IC1_POWEREN
	90	ATAD0A0	72	CL_M001/IC1_POWEREN
	91	ATAD0A1	71	CL_M001/IC1_POWEREN
	92	ATAD0A2	70	CL_M001/IC1_POWEREN
	93	ATAD0A3	69	CL_M001/IC1_POWEREN
	94	ATAD0A4	68	CL_M001/IC1_POWEREN
	95	ATAD0A5	67	CL_M001/IC1_POWEREN
	96	ATAD0A6	66	CL_M001/IC1_POWEREN
	97	ATAD0A7	65	CL_M001/IC1_POWEREN
	98	ATAD0A8	64	CL_M001/IC1_POWEREN
	99	ATAD0A9	63	CL_M001/IC1_POWEREN
	100	ATAD0A0	62	CL_M001/IC1_POWEREN
	101	ATAD0A1	61	CL_M001/IC1_POWEREN
	102	ATAD0A2	60	CL_M001/IC1_POWEREN
	103	ATAD0A3	59	CL_M001/IC1_POWEREN
	104	ATAD0A4	58	CL_M001/IC1_POWEREN
	105	ATAD0A5	57	CL_M001/IC1_POWEREN
	106	ATAD0A6	56	CL_M001/IC1_POWEREN
	107	ATAD0A7	55	CL_M001/IC1_POWEREN
	108	ATAD0A8	54	CL_M001/IC1_POWEREN
	109	ATAD0A9	53	CL_M001/IC1_POWEREN
	110	ATAD0A0	52	CL_M001/IC1_POWEREN
	111	ATAD0A1	51	CL_M001/IC1_POWEREN
	112	ATAD0A2	50	CL_M001/IC1_POWEREN
	113	ATAD0A3	49	CL_M001/IC1_POWEREN
	114	ATAD0A4	48	CL_M001/IC1_POWEREN
	115	ATAD0A5	47	CL_M001/IC1_POWEREN
	116	ATAD0A6	46	CL_M001/IC1_POWEREN
	117	ATAD0A7	45	CL_M001/IC1_POWEREN
	118	ATAD0A8	44	CL_M001/IC1_POWEREN
	119	ATAD0A9	43	CL_M001/IC1_POWEREN
	120	ATAD0A0	42	CL_M001/IC1_POWEREN
	121	ATAD0A1	41	CL_M001/IC1_POWEREN
	122	ATAD0A2	40	CL_M001/IC1_POWEREN
	123	ATAD0A3	39	CL_M001/IC1_POWEREN
	124	ATAD0A4	38	CL_M001/IC1_POWEREN
	125	ATAD0A5	37	CL_M001/IC1_POWEREN
	126	ATAD0A6	36	CL_M001/IC1_POWEREN
	127	ATAD0A7	35	CL_M001/IC1_POWEREN
	128	ATAD0A8	34	CL_M001/IC1_POWEREN
	129	ATAD0A9	33	CL_M001/IC1_POWEREN
	130	ATAD0A0	32	CL_M001/IC1_POWEREN
	131	ATAD0A1	31	CL_M001/IC1_POWEREN
	132	ATAD0A2	30	CL_M001/IC1_POWEREN
	133	ATAD0A3	29	CL_M001/IC1_POWEREN
	134	ATAD0A4	28	CL_M001/IC1_POWEREN
	135	ATAD0A5	27	CL_M001/IC1_POWEREN
	136	ATAD0A6	26	CL_M001/IC1_POWEREN
	137	ATAD0A7	25	CL_M001/IC1_POWEREN
	138	ATAD0A8	24	CL_M001/IC1_POWEREN
	139	ATAD0A9	23	CL_M001/IC1_POWEREN
	140	ATAD0A0	22	CL_M001/IC1_POWEREN
	141	ATAD0A1	21	CL_M001/IC1_POWEREN
	142	ATAD0A2	20	CL_M001/IC1_POWEREN
	143	ATAD0A3	19	CL_M001/IC1_POWEREN
	144	ATAD0A4	18	CL_M001/IC1_POWEREN
	145	ATAD0A5	17	CL_M001/IC1_POWEREN
	146	ATAD0A6	16	CL_M001/IC1_POWEREN
	147	ATAD0A7	15	CL_M001/IC1_POWEREN
	148	ATAD0A8	14	CL_M001/IC1_POWEREN
	149	ATAD0A9	13	CL_M001/IC1_POWEREN
	150	ATAD0A0	12	CL_M001/IC1_POWEREN
	151	ATAD0A1	11	CL_M001/IC1_POWEREN
	152	ATAD0A2	10	CL_M001/IC1_POWEREN
	153	ATAD0A3	9	CL_M001/IC1_POWEREN
	154	ATAD0A4	8	CL_M001/IC1_POWEREN
	155	ATAD0A5	7	CL_M001/IC1_POWEREN
	156	ATAD0A6	6	CL_M001/IC1_POWEREN
	157	ATAD0A7	5	CL_M001/IC1_POWEREN
	158	ATAD0A8	4	CL_M001/IC1_POWEREN
	159	ATAD0A9	3	CL_M001/IC1_POWEREN
	160	ATAD0A0	2	CL_M001/IC1_POWEREN
	161	ATAD0A1	1	CL_M001/IC1_POWEREN
	162	ATAD0A2	0	CL_M001/IC1_POWEREN



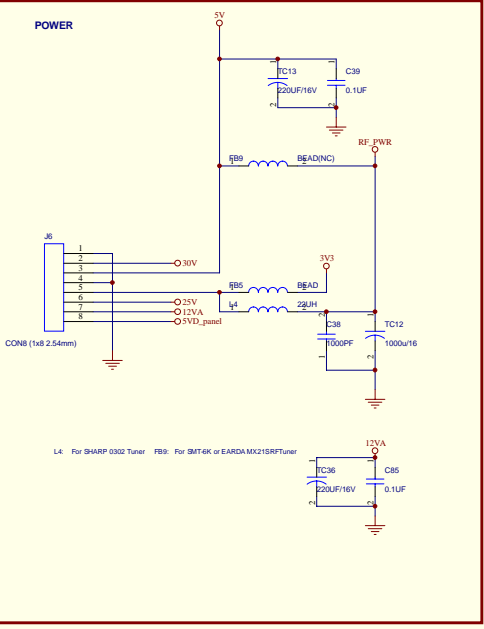
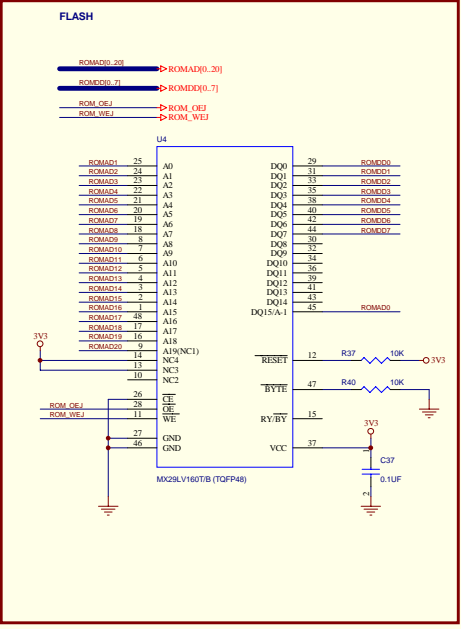
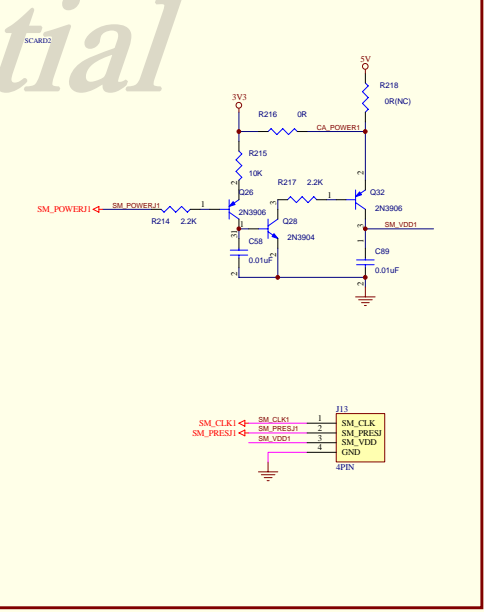
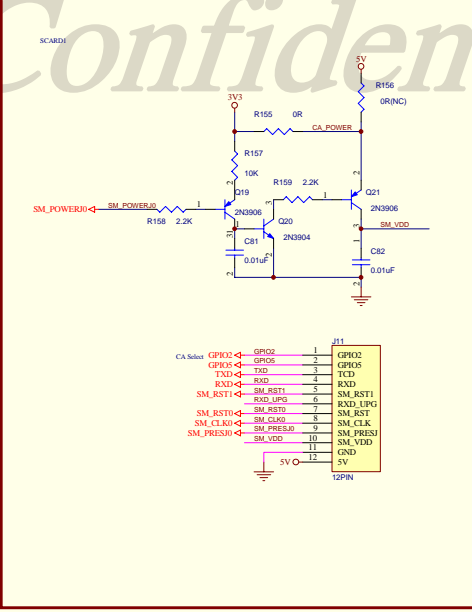
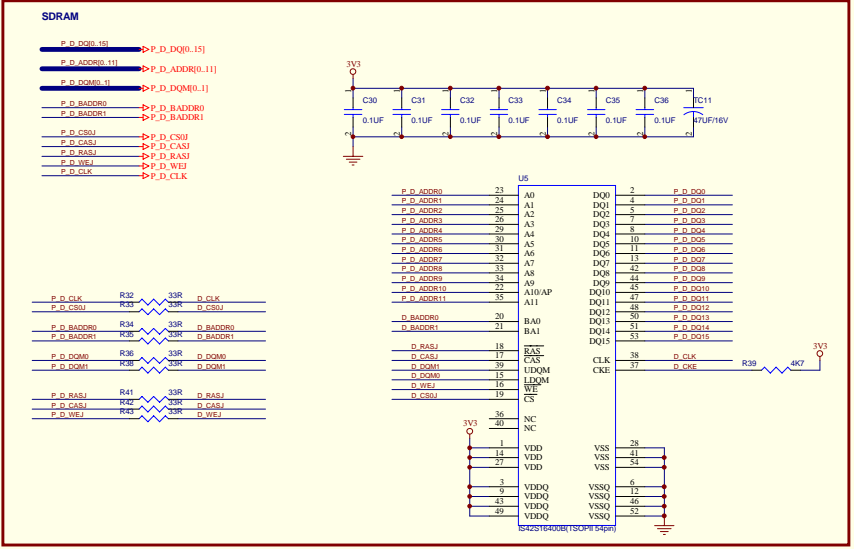
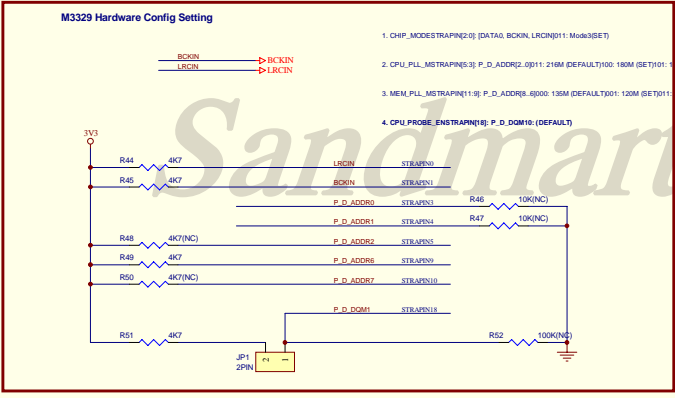
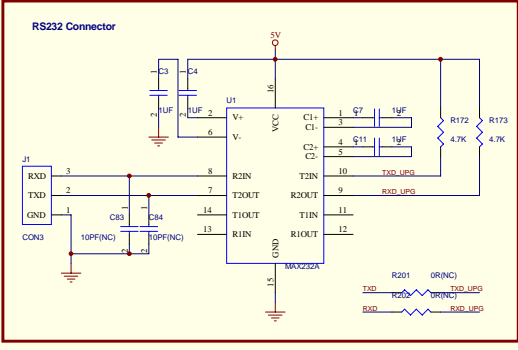
標準

審核

制作

賴 初 展

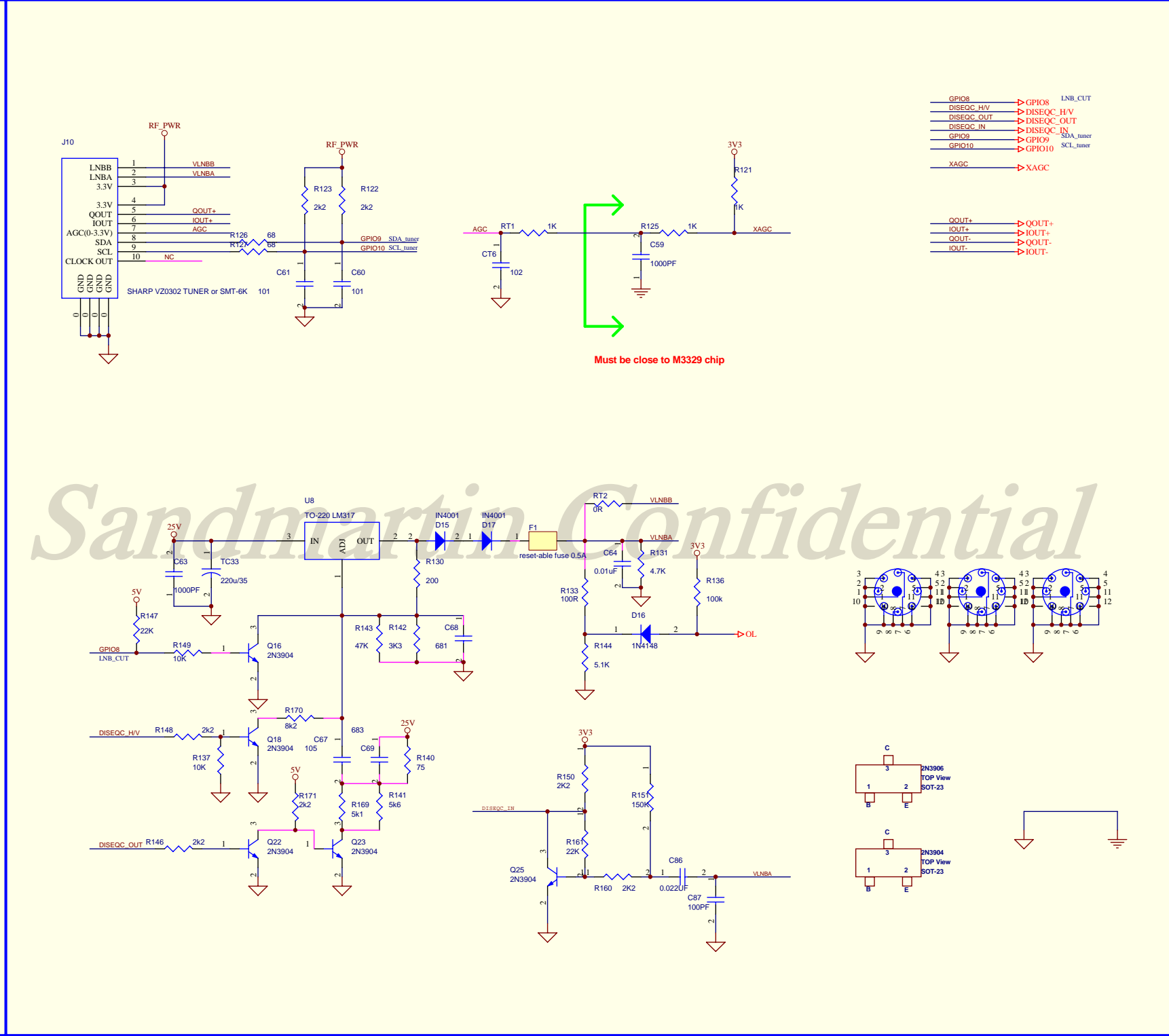
QR0021 2005.11.04, A1







機種名稱	DVB9004(A1I0302)-A5	機種功能	數字衛星接收機	日期	圖號
內容	原理圖				



核准	
審核	
制作	
賴初展	