

ILLUST is POLAND model.

Please contact with KENWOOD ELECTRONICS BRETAGNE S.A. if you want to have a repair parts.

⚠ Caution: Replace with new PCB ass'y if switching power supply(W02-2725-05) is defective.

DTF-2

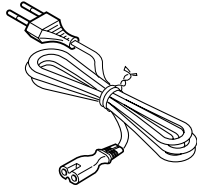
CONTENTS / ACCESSORIES

Contents

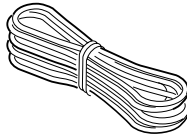
CONTENTS / ACCESSORIES	2	SCHEMATIC DIAGRAM	7
CONTROLS	3	EXPLODED VIEW	17
PC BOARD	4	PARTS LIST	Back cover

Accessories

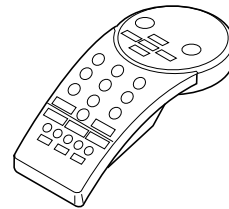
AC power cord(INLET)
(E30-2948-05)



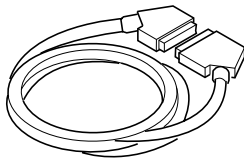
Cord with connector(MODEM)
(E30-) *



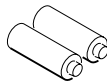
Remote controller ass'y
(A70-) *



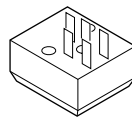
Cord with connector(SCART)
(E30-2916-05)



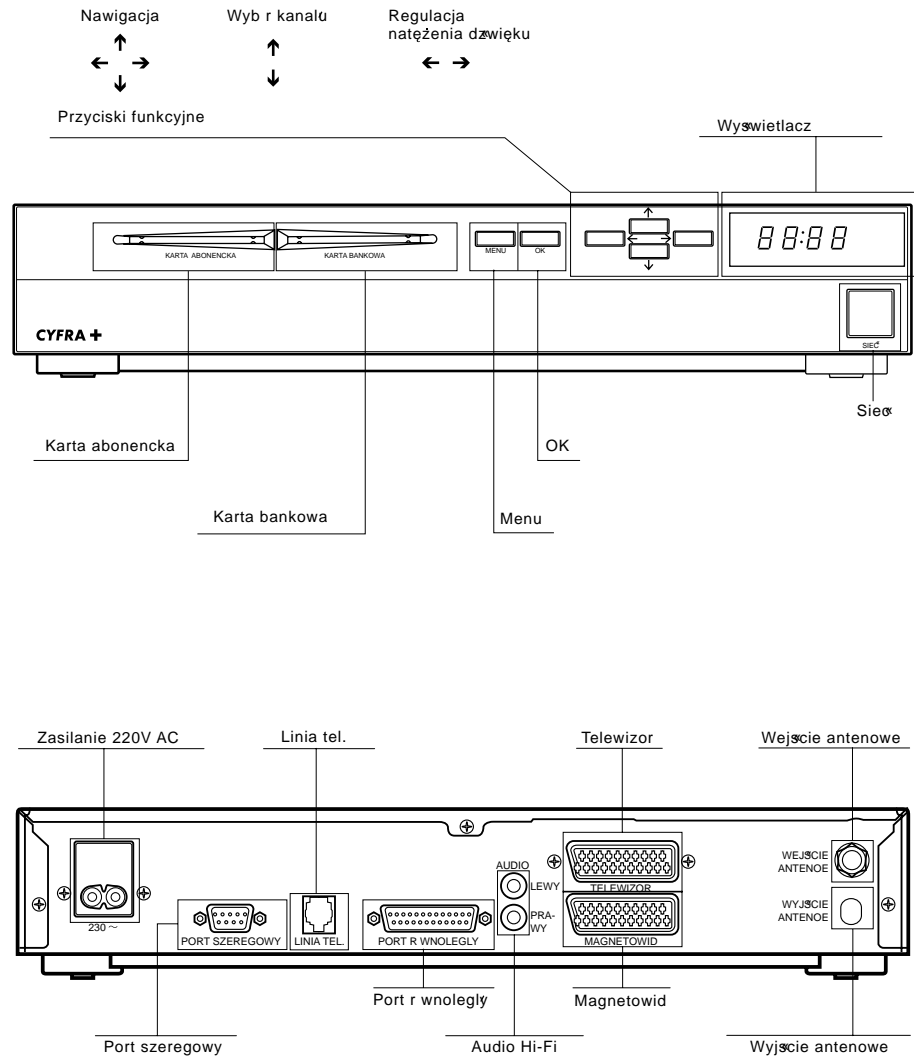
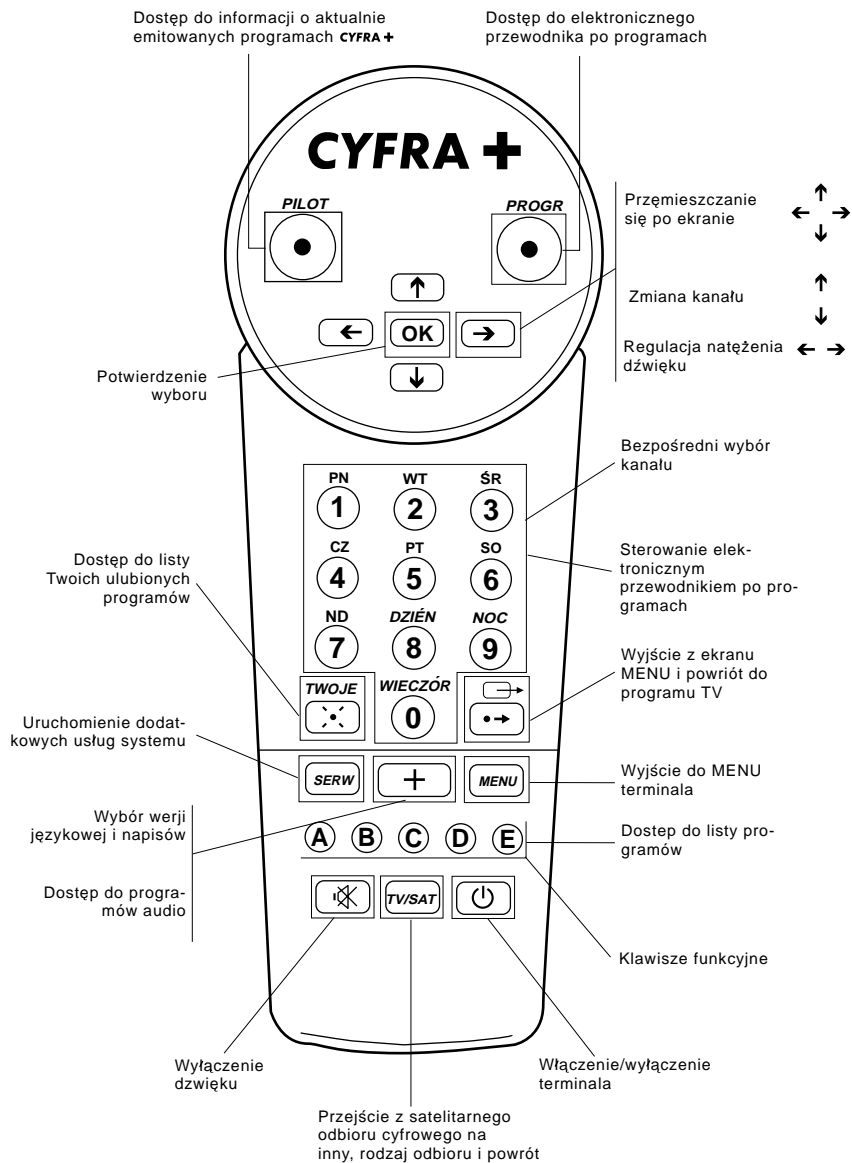
Batteries



Adapter
(W01-) *



* Refer to parts list.

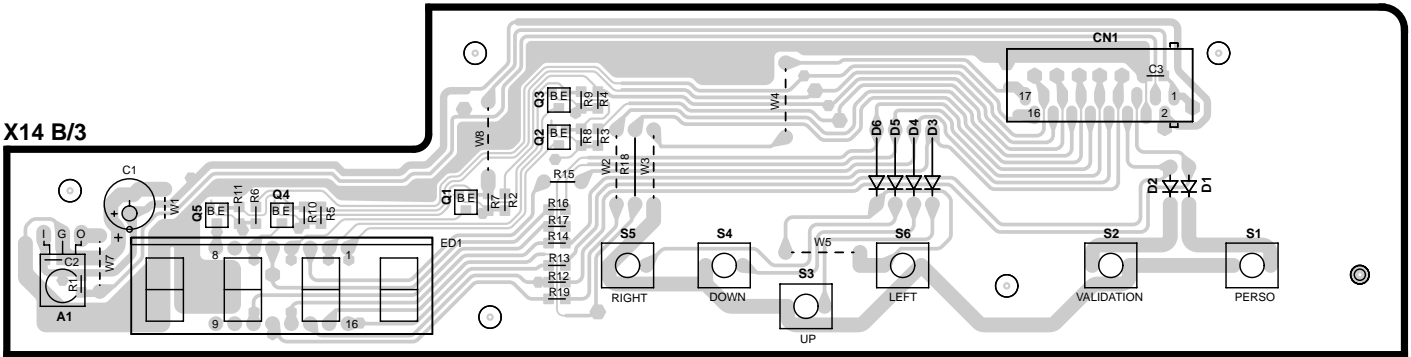


CONTROLS

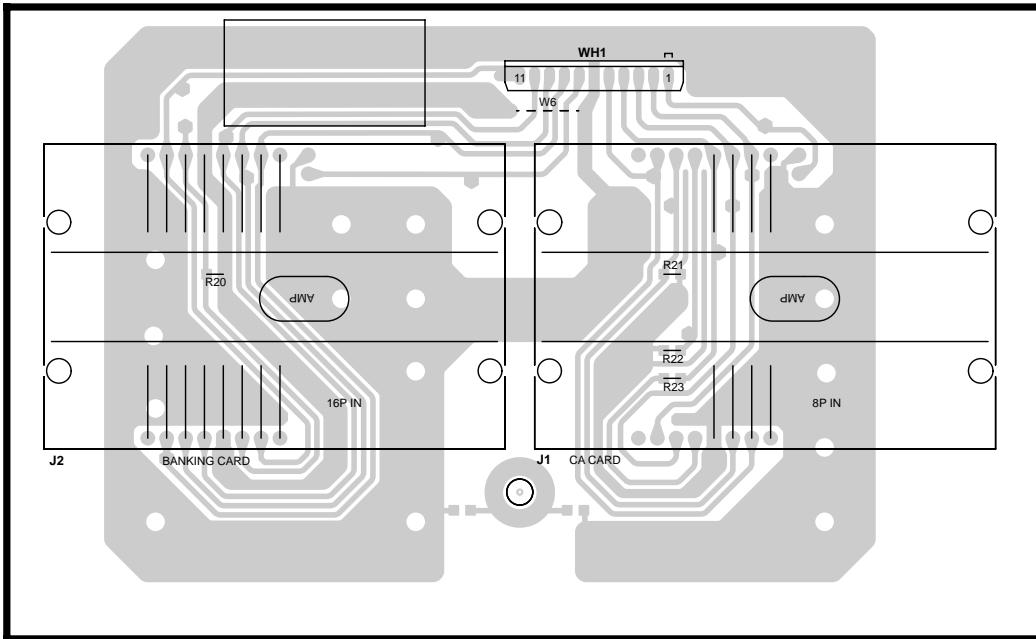
DTF-2

PC BOARD (Component side view)

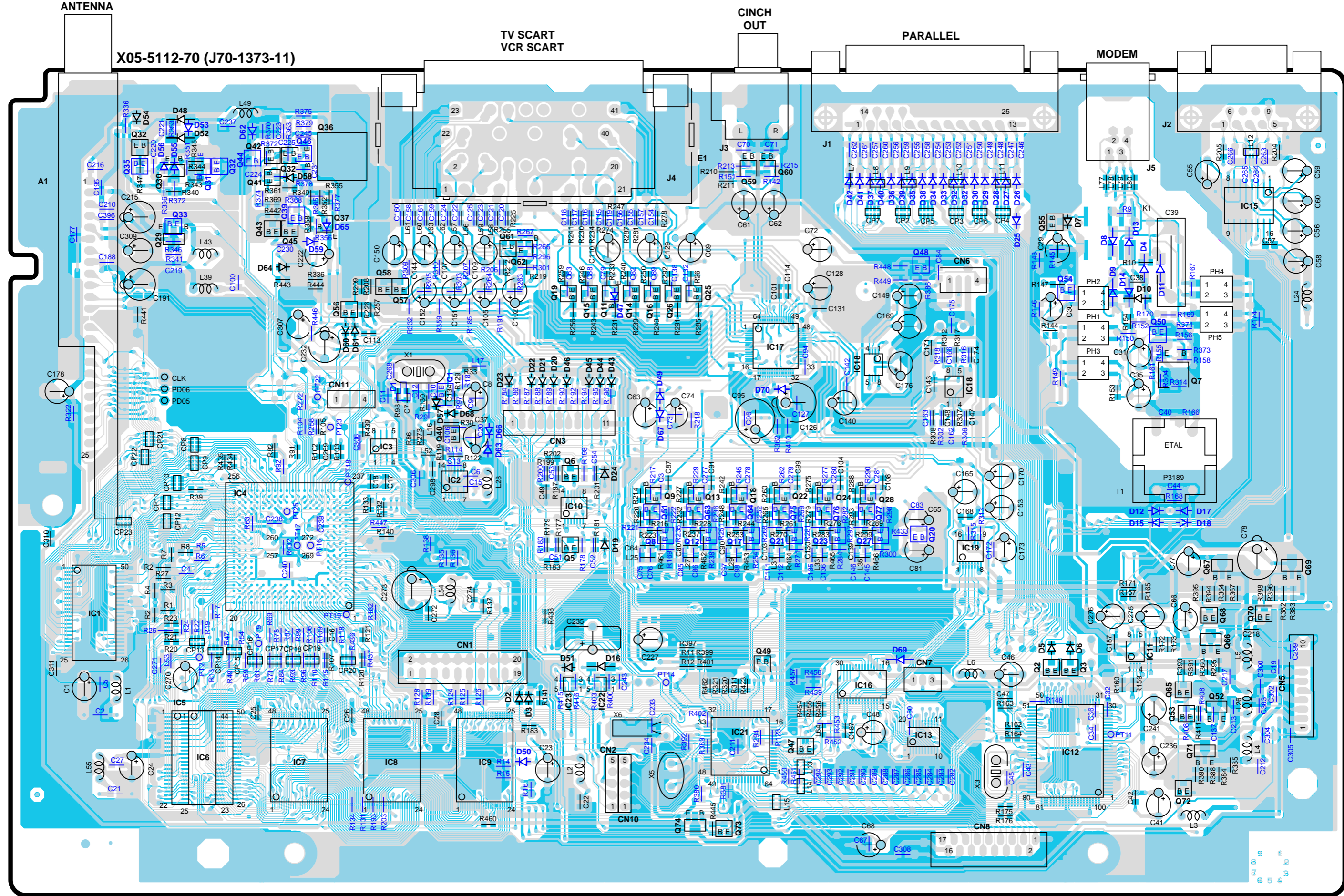
X14 B/3



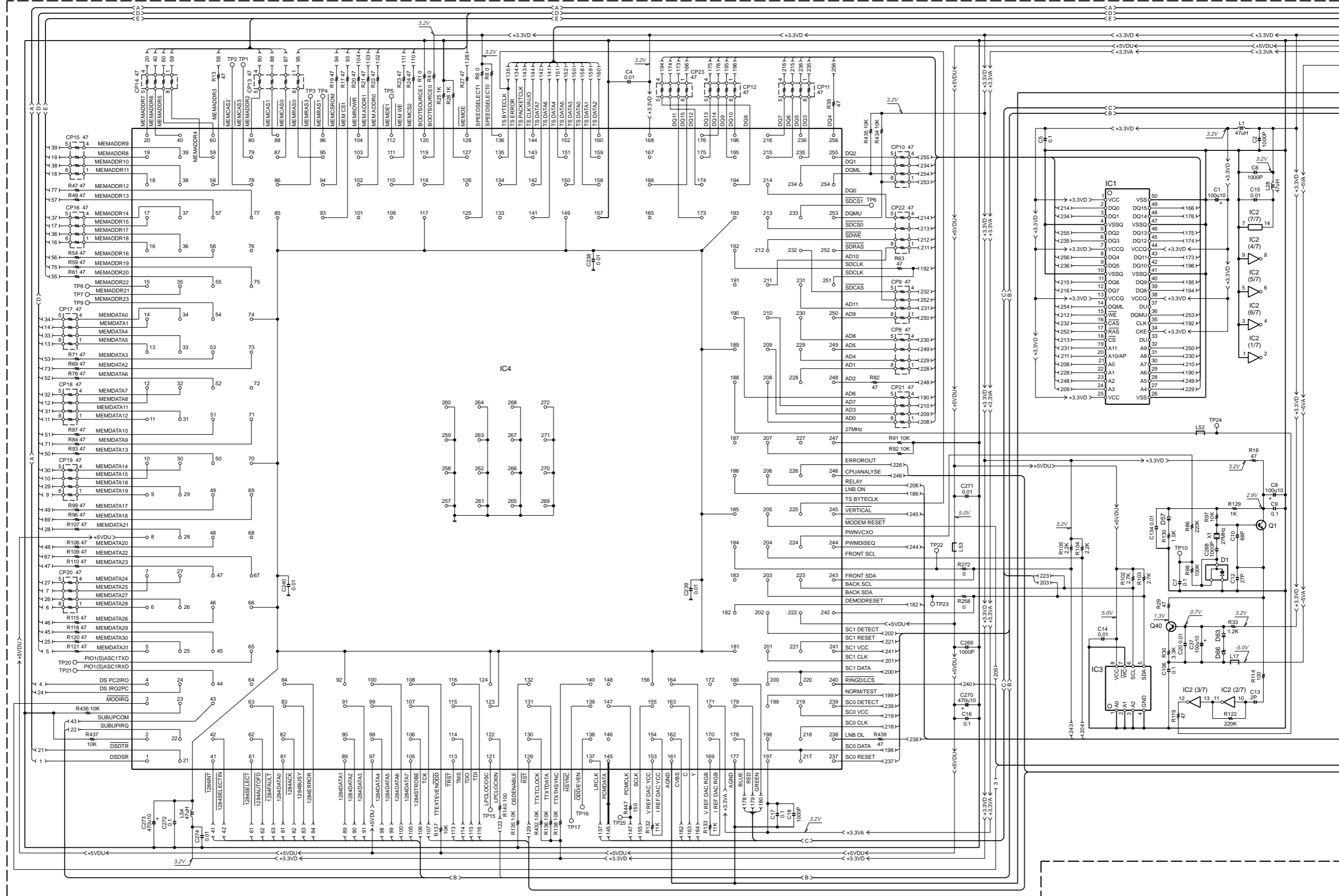
X14-7102-70 A/3 (J70-1374-12)



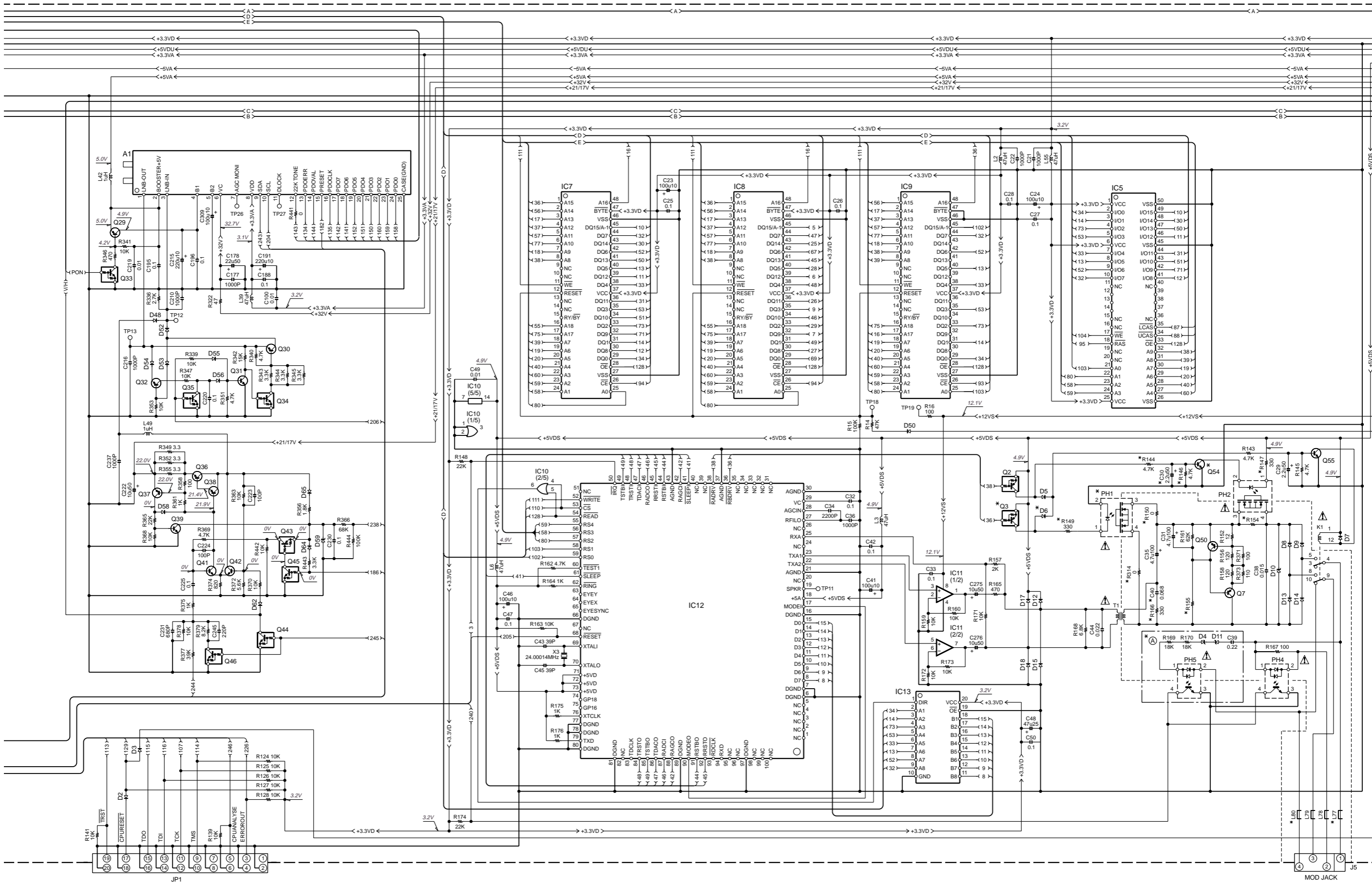
PC BOARD(Component side view)



Refer to the schematic diagram for the value of resistors and capacitors.

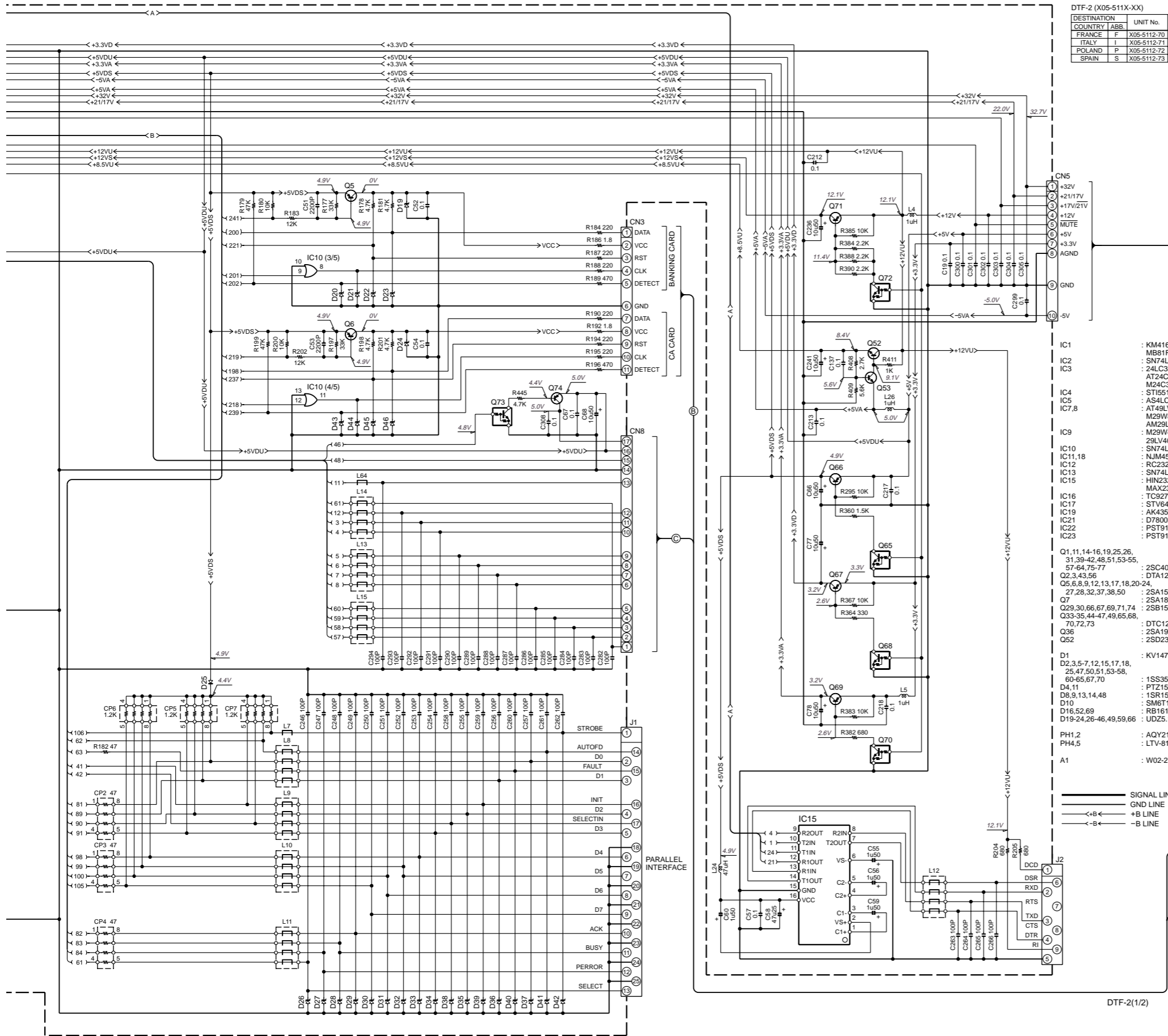


1
2
3
4
5
6
7



JP1

MOD JACK



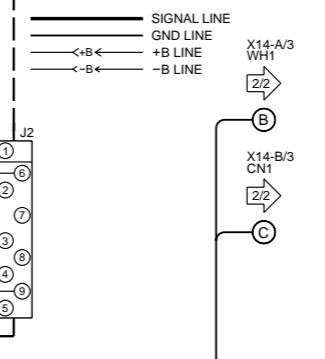
DTF-2 (X05-511X-XX)

DESTINATION COUNTRY	ABB.	UNIT No.	(A)	(B)	(C)	C30	C40	D6	L77, 80	PH1,2	O3, 54	R11, 12	R144, 146, 147, 149, 150, 314	R154	R155	R166	R399, 401
FRANCE	F	X05-5112-70	YES	NO	NO	NO	NO	NO	NO	NO	NO	NO	NO	0	4.7K	YES	YES
ITALY	I	X05-5112-71	NO	NO	NO	NO	NO	NO	NO	NO	NO	NO	NO	0	4.7K	NO	NO
POLAND	P	X05-5112-72	NO	NO	NO	NO	NO	NO	NO	NO	NO	NO	NO	0	4.7K	NO	NO
SPAIN	S	X05-5112-73	YES	NO	NO	NO	NO	NO	NO	NO	NO	NO	NO	0	4.7K	YES	YES

CAUTION: For continued safety, replace safety critical components only with manufacturer's recommended parts (refer to parts list). Δ indicates safety critical components. For continued protection against risk of fire, replace only with same type and rating fuse(s). To reduce the risk of electric shock, leakage-current or resistance measurements shall be carried out (exposed parts are acceptably insulated from the supply circuit) before the appliance is returned to the customer.

The DC voltage is an actual reading measured with a high impedance type voltmeter with no signal input. The measurement value may vary depending on the measuring instruments used or on the product.

- IC1 : KM416S1120DTG8 or MB81F161622B
- IC2 : SN74LV04APW
- IC3 : 24LC32AT/5N or AT24C32N10SC25 or M24C32-WMN1T
- IC4 : ST15510A
- IC5 : AS4LC1M16E5-60
- IC7,8 : AT49LV819290TC or M29W800AB90N1 or AM29LV800BB90E or M29W400B90N1 or 29LV400B90PFTN
- IC9 : SN74LV32APW
- IC11,18 : NJM4580V
- IC12 : RC2324DPL
- IC13 : SN74LV245APW
- IC15 : HIN232CB-T or MAX232DW
- IC16 : TC9271FS
- IC17 : STV6411AD
- IC19 : AK4351
- IC21 : D780021AYGKN05
- IC22 : PST9130NR
- IC23 : PST9142NR
- Q1,11,14,16,19,25,26, 31,39-42,48,51,53-55, 57-64,75-77 : 2SC4081(R,S)
- Q2,3,43,56 : DTA124EUA
- Q5,6,8,9,12,13,17,18,20-24, 27,28,32,37,38,50 : 2SA1576A(R,S)
- Q7 : 2SA1862
- Q29,30,66,67,69,71,74 : 2SB1561
- Q33-35,44-47,49,65,68, 70,72,73 : DTC123EUA
- Q36 : 2SA1906(E,F)
- Q52 : 2SD2391
- D1 : KV1471
- D2,3,5-7,12,15,17,18, 25,47,50,51,53-58, 60-65,67,70 : 1SS355
- D4,11 : PTZ15A
- D8,9,13,14,48 : 1SR154-400
- D10 : SM6T150A
- D16,52,69 : RB161L-40
- D19-24,26-46,49,59,66 : UDZ5.1B
- PH1,2 : AQY210EHX
- PH4,5 : LTV-814S
- A1 : W02-2723-05

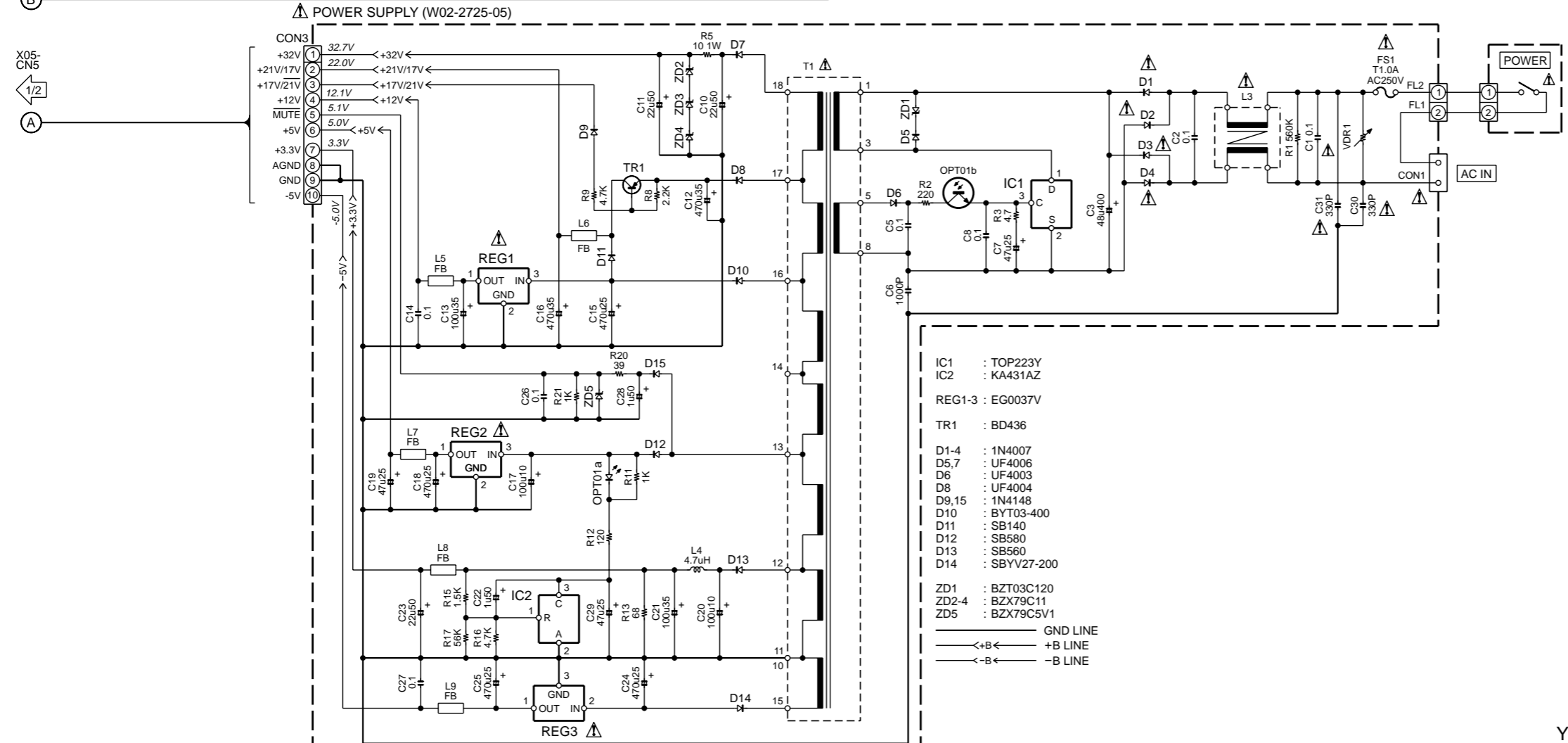
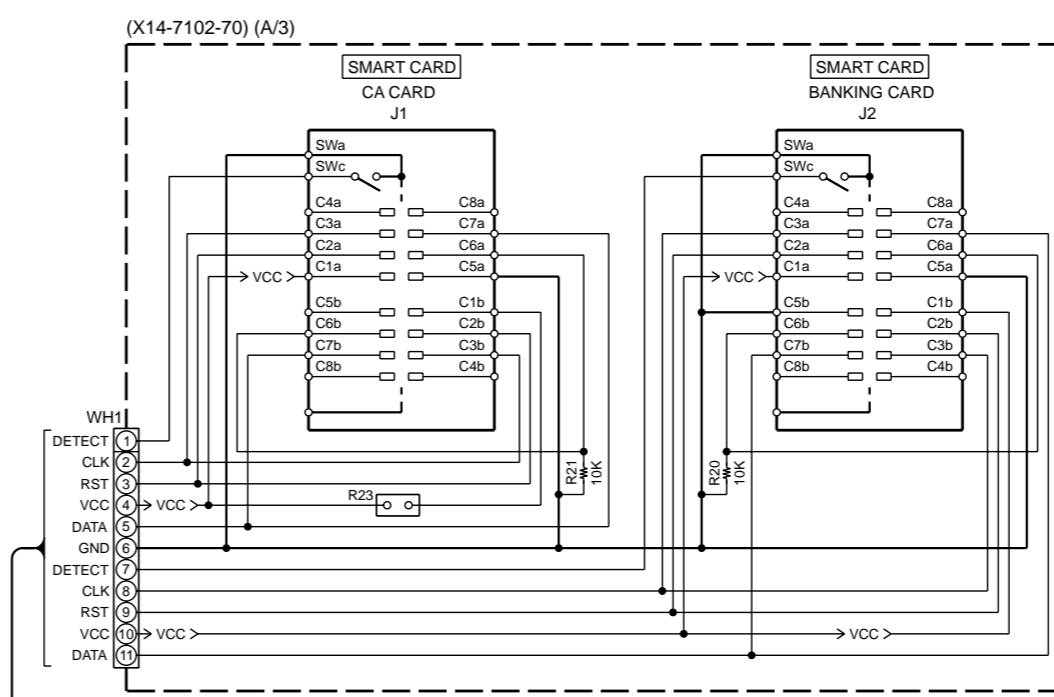
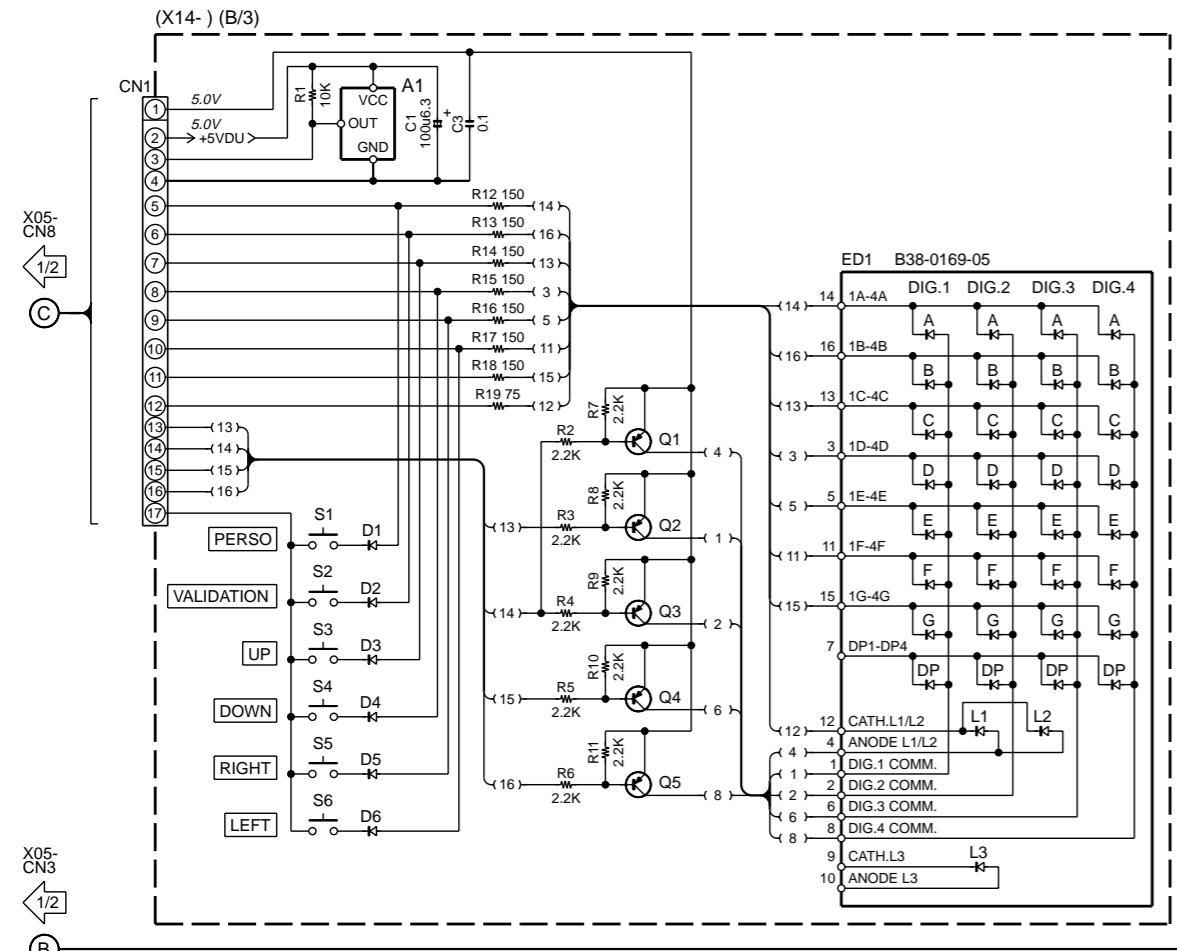


DTF-2(1/2)

DTF-2

Y07-3892-70

KENWOOD



ATTENTION: POWER SUPPLY(W02-2725-05) needs replace only for repair.

CAUTION: For continued safety, replace safety critical components only with manufacturer's recommended parts (refer to parts list). Δ indicates safety critical components. For continued protection against risk of fire, replace only with same type and rating fuse(s). To reduce the risk of electric shock, leakage-current or resistance measurements shall be carried out (exposed parts are acceptably insulated from the supply circuit) before the appliance is returned to the customer.

The DC voltage is an actual reading measured with a high impedance type voltmeter with no signal input. The measurement value may vary depending on the measuring instruments used or on the product.

Ref. No	Add-ress	New Parts	Parts No.	Description	Desti-nation	Re-marks
DTF-2						
601			A01-3633-31	METALLIC CABINET	FPS	
601	1A		A01-3721-21	METALLIC CABINET	I	
604	2C		A11-1183-02	SUB CHASSIS ASSY	F	
606	2A		A60-1797-12	PANEL ASSY	P	
606	2A		A60-1798-12	PANEL ASSY		
606	2A		A60-1800-12	PANEL ASSY	I	
606	2A		A60-1817-02	PANEL ASSY	S	
608	1A		A70-1286-05	REMOTE CONTROLLER ASSY	F	
608	1A		A70-1323-05	REMOTE CONTROLLER ASSY	I	
608	1A		A70-1327-05	REMOTE CONTROLLER ASSY	P	
608	1A		A70-1362-05	REMOTE CONTROLLER ASSY	S	
-			B59-1442-00	SUB-INSTRUCTION MANUAL	P	
-			B60-4190-00	INSTRUCTION MANUAL	F	
-			B60-4440-00	INSTRUCTION MANUAL	I	
-			B60-4443-00	INSTRUCTION MANUAL	P	
-			B60-4463-00	INSTRUCTION MANUAL	I	
-			B60-4571-00	INSTRUCTION MANUAL	S	
-			B60-4572-00	INSTRUCTION MANUAL	S	
Δ 620	1A		E30-2779-05	AC POWER CORD (INLET)		
621	1A		E30-2916-05	CORD WITH CONNECTOR(SCART)	F	
622	1A		E30-2917-05	CORD WITH CONNECTOR(MODEM)	I	
622	1A		E30-2933-05	CORD WITH CONNECTOR(MODEM)	S	
623	1A		E30-0000-05	CORD WITH CONNECTOR(MODEM)	P	
623	1A		E30-2936-05	CORD WITH CONNECTOR(MODEM)		
-			H10-7560-02	POLYSTYRENE FOAMED FIXTURE	F	
-			H10-7561-02	POLYSTYRENE FOAMED FIXTURE	F	
-			H10-7620-02	POLYSTYRENE FOAMED FIXTURE	IPS	
-			H10-7621-02	POLYSTYRENE FOAMED FIXTURE	IPS	
-			H13-0331-04	CARTON BOARD		
-			H21-0371-04	PROTECTION SHEET		
-			H25-0232-04	PROTECTION BAG (235X350X0.03)		
-			H50-3291-04	ITEM CARTON CASE	F	
-			H50-3525-04	ITEM CARTON CASE	I	
-			H50-3547-04	ITEM CARTON CASE	P	
-			H50-3658-04	ITEM CARTON CASE	S	
-			W01-0986-05	ADAPTER (MODEM)	S	
649	1A		W01-0978-05	ADAPTER (MODEM)	P	
650	1C		W02-2725-05	ELECTRIC CIRCUIT(POWER SUPPLY)		
660	1B		X05-5112-70	TUNER UNIT	F	
660	1B		X05-5112-71	TUNER UNIT	I	
660	1B		X05-5112-72	TUNER UNIT	P	
660	1B		X05-5112-73	TUNER UNIT	S	
661	2A,1B		X14-7102-70	DISPLAY UNIT		
TUNER (X05-5112-70)						
J1			E58-0026-05	RECTANGULAR RECEPTACLE		
J2			E58-0025-05	RECTANGULAR RECEPTACLE		
J3			E63-0122-05	PIN JACK		
J4			E58-0021-15	RECTANGULAR RECEPTACLE		
J5			E68-0002-05	MODULAR JACK		
A1			W02-2723-05	TUNER ASSY		
DISPLAY (X14-7102-70)						
A1			W02-2670-05	OPTIC RECEIVING MODULE		

F : France

P : Poland

S : Spain

I : Italy

Δ Indicates safety critical components.

* New Parts

Parts without **Parts No.** are not supplied.Les articles non mentionnes dans le **Parts No.** ne sont pas fournis.Teile ohne **Parts No.** werden nicht geliefert.**Note:**

Component and circuit are subject to modification to insure best operation under differing local conditions. This manual is based on Poland(P) standard, and provides information on regional circuit modification through use of alternate schematic diagrams, and information on regional component variations through use of parts list.

KENWOOD CORPORATION

14-6,Dogenzaka 1 -home, Shibuya-ku, Tokyo, 150-8501 Japan

KENWOOD SERVICE CORPORATION

P.O BOX 22745, 2201 East Dominguez St., Long Beach, CA 90801-5745, U.S.A.

KENWOOD ELECTRONICS CANADA INC.

6070 Kestrel Road, Mississauga, Ontario, Canada L5T 1S8

KENWOOD ELECTRONICS LATIN AMERICA S.A.

P.O BOX 55-2791, Piso 6 plaza Chases Cl. 47 V. Aquilino de la Guardia Panama, Republic de Panama

KENWOOD ELECTRONICS BRASIL LTDA.

Av. Moema, 170-17, Andar-Cobertura "B", Ed. Maximum Service Center, 04077-020 Moema, São Paulo-Sp-Brasil

KENWOOD ELECTRONICS U.K. LIMITED

KENWOOD House, Dwight Road, Watford, Herts., WD1 8EB., United Kingdom

KENWOOD ELECTRONICS BELGIUM N.V.

Meachelsesteenweg 418, B-1930 Zaventem, Belgium

KENWOOD ELECTRONICS DEUTSCHLAND GMBH

Rembrücker Str. 15, 63150 Heusenstamm, Germany

KENWOOD ELECTRONICS FRANCE S.A.

13 Boulevard Ney, 75018 Paris, France

KENWOOD ELECTRONICS ITALIA S.p.A.

Via G. Simon, 7/9 20129, Milano, Italy

KENWOOD IBÉRICA S.A.

Bofivia, 239-08020 Barcelona, Spain

KENWOOD ELECTRONICS AUSTRALIA PTY. LTD.

(A.C.N. 001 499 074)

16 Giffnock Avenue, North Ryde, N.S.W. 2113, Australia

KENWOOD ELECTRONICS (HONG KONG) LTD.

Unit 3712-3724, Level 37, Tower 1, Metroplaza 223 Hing Fong Road, Kwai Fong N.T., Hong Kong

KENWOOD ELECTRONICS GULF FZE

P.O.Box 61318, Jebel Ali, Dubai, U.A.E.

KENWOOD ELECTRONICS SINGAPORE PTE LTD.

No. 1, Genting Lane #02-02, KENWOOD Building, Singapore, 349544

KENWOOD ELECTRONICS (MALAYSIA) SDN BHD.

#4.01 Level 4, Wisma Academy Lot 4A, Jalan 19/1 46300 Petaling Jaya Selangor Darul Ehsan Malaysia

KENWOOD ELECTRONICS (THAILAND) CO., LTD.

2019 New Pechburi Road, Bangkapi, Huaykwang, Bangkok, 10320 Thailand

KENWOOD ELECTRONICS BRETAGNE S.A.

Rue Saint-Exupéry 35150 Janzé France