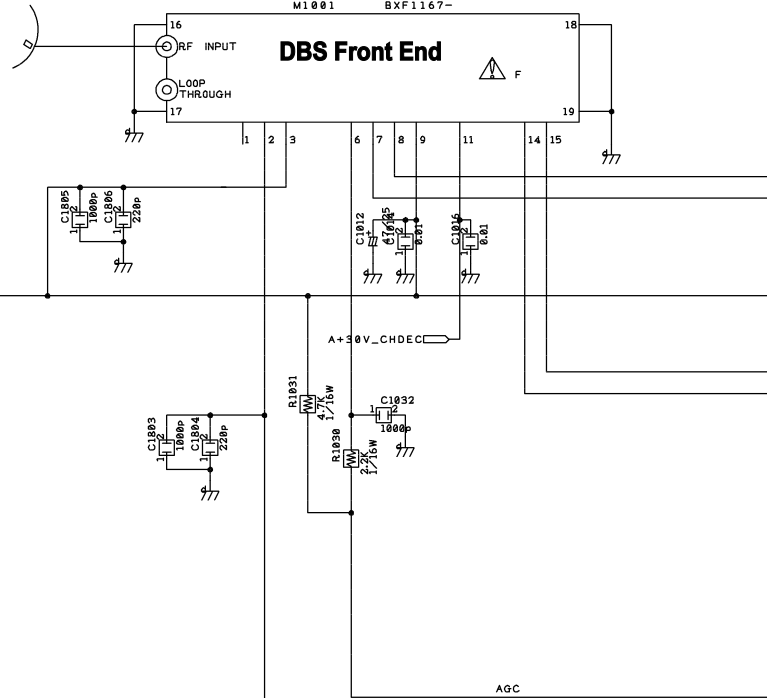


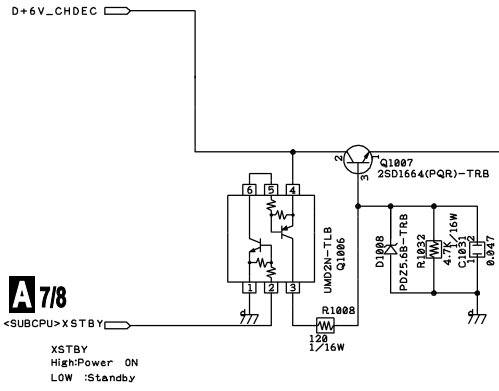
3.3 MAIN ASSY(1/8)

A

A 1/8 MAIN ASSY (1/8)
 • CHDEC BLOCK
 (TS7 : BWE1129)
 (BCT-1710 : BWE1130)
 (BCT-1720 : BWE1131)
 (BCT-1730 : BWE1143)

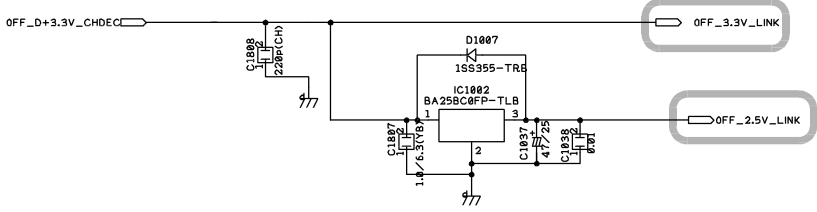


B



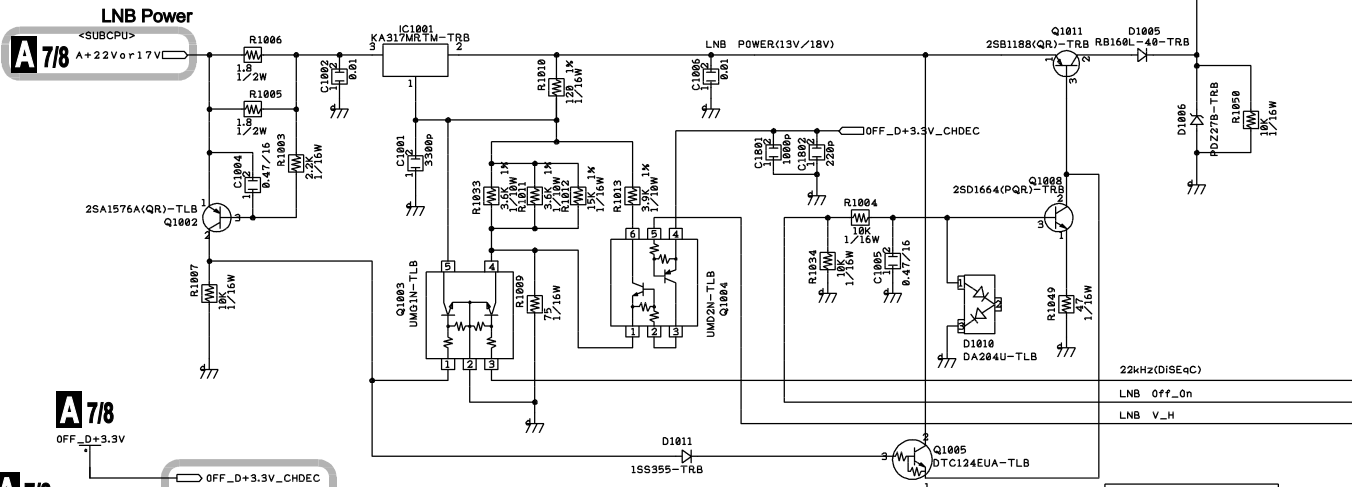
A 7/8
 <SUBCPU> XSTBY
 XSTBY
 High:Power ON
 Low :Standby

C



A 2/8 1 2C_SDA <DMUXCPU>
 1 2C_SCL <DMUXCPU>
A 7/8 XRESET_CHDEC <SUBCPU>

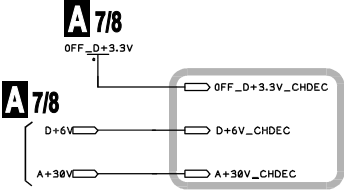
D



A 7/8 LNB Power
 <SUBCPU>
 A+22V+17V

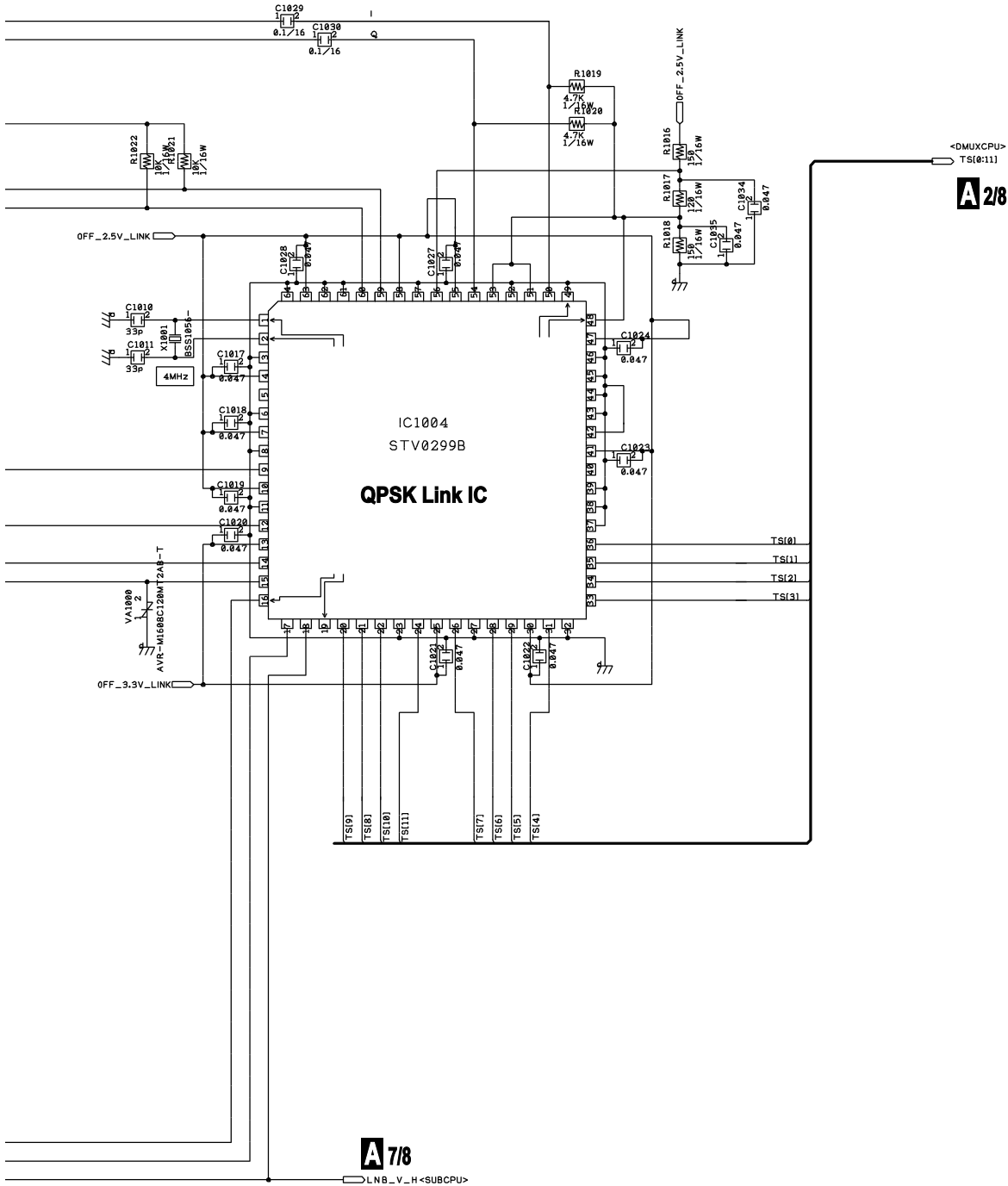
LNB Off_On
 Low: LNB OFF
 High: LNB ON
 LNB V_H
 Low: Vertical(13V)
 High: Horizontal(18V)

E



A 7/8 OFF_D+3.3V
A 7/8 OFF_D+3.3V_CHDEC
 D+6V_CHDEC
 A+30V_CHDEC

F



DTC124EUA-TLB: R1,R2=22kohm
 UMG1N-TLB: DTC124E+DTC124E
 UMD2N-TLB: DTA124E+DTC124E

 : The power supply is shown with the marked box.